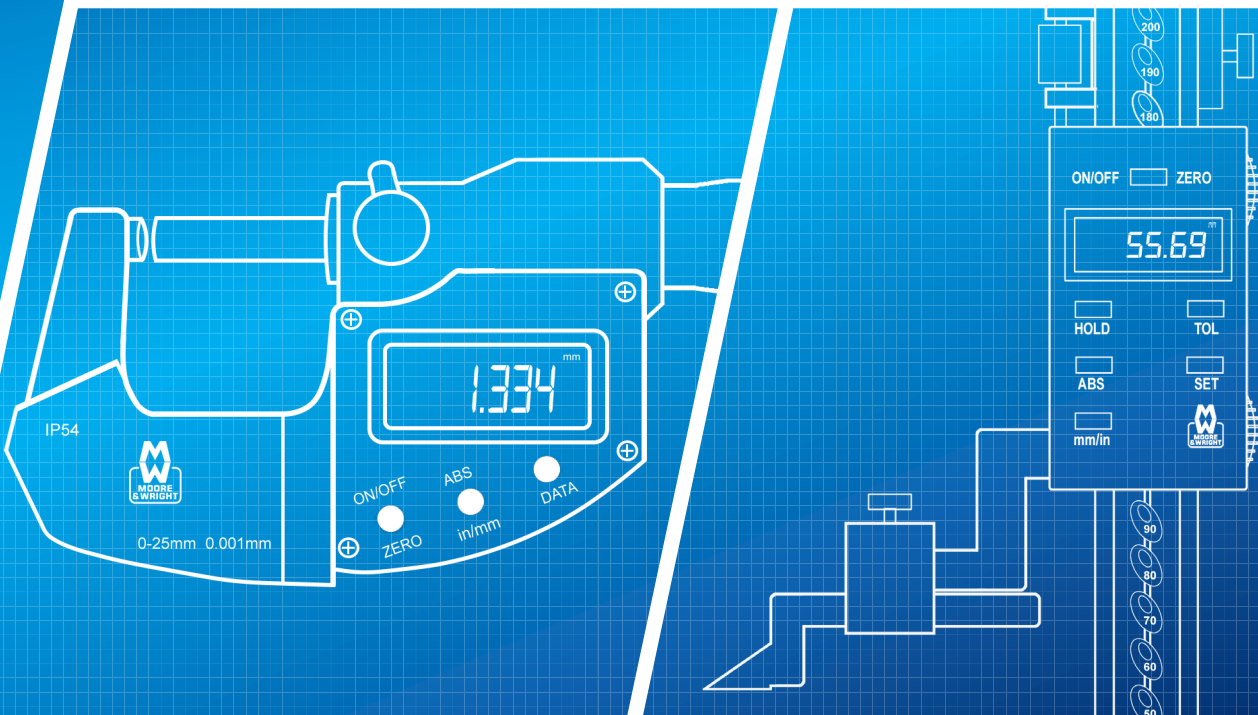


PARTNERS IN PRECISION
METROLOGY ESSENTIALS 2020



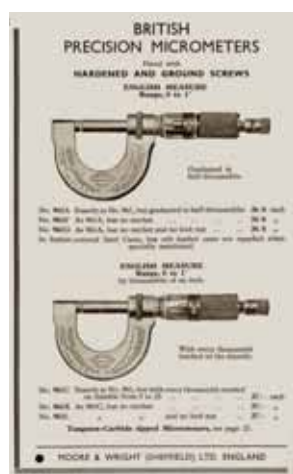
A Brief History...

Founded in 1906 by innovative young engineer, Frank Moore, Moore & Wright has been designing, manufacturing and supplying precision measuring equipment to global industry for over 100 years. With roots fixed firmly in Sheffield, England, the company began by manufacturing a range of calipers, screwdrivers, punches and other engineer's tools. Following investment from Mrs Wright, a shrewd Sheffield businesswoman, Frank was able to expand the business and further develop his innovative designs.



By the mid-nineteen twenties, thanks to the company's enviable reputation, Moore & Wright was approached by the UK Government to consider manufacturing a range of quality micrometers. It was in this field that Moore & Wright's status as UK agent for the Swiss Avia range of products and subsequent acquisition of the Avia brand and manufacturing rights, proved invaluable. A set of working drawings was obtained from Switzerland and reworked based on popular American designs, whilst incorporating Moore & Wright's own innovations. The ensuing range of high quality instruments resulted in world renown for Moore & Wright micrometers. These early, classic designs are regarded as the origin of today's comprehensive range of micrometers, now used in every industrialised country throughout the world.

During World War Two, the overwhelming demand for Moore & Wright micrometers resulted in the opening of two further factories in England with production levels reaching an incredible 20,000 micrometers per month.



By the end of World War Two, control of the company had passed to Frank Moore's daughter who subsequently sold the business to John Shaw Company in 1945. John Shaw recognised the skill and business acumen of the Moore & Wright staff granting them a level of autonomy. This allowed them to continue to develop innovative new products that could be marketed in both the UK and overseas. Soon the company was producing a diverse range of precision tools, including small hole gauges, telescopic gauges and a wide range of vernier calipers.

By the early 1950s Moore & Wright's vastly expanded product portfolio and increased levels of production, meant that it had outgrown its current production sites. The answer to the company's manufacturing bottlenecks was to be found in a new state-of-the-art production facility in Sheffield.

In 1970, Moore & Wright was acquired by Neill Tools Group, when the John Shaw Company was purchased by Neill Tools. The years that followed saw an increased threat to company sales from products exported to the UK from overseas manufacturers. Helped by the purchase of well-known micrometer manufacturer, Shardlow and the quality caliper producer Bensons, Neill Tools jealously defended Moore & Wright's business. The company also embarked on a progressive micrometer design and development programme. After adopting the suggested manufacturing and product design improvements, Moore & Wright launched Micro 2000, the world's first hand-held electronic micrometer. The company was proud to be awarded the coveted Queens Award For Technological Achievement in 1977 for this groundbreaking new product.



BOWERS GROUP

Now part of Bowers Group and with production facilities in the UK and China, Moore & Wright continues its commitment to supplying worldwide industry with high quality, affordable products. Its ongoing pledge to research and development should ensure that this great British company remains at the forefront of global innovation.

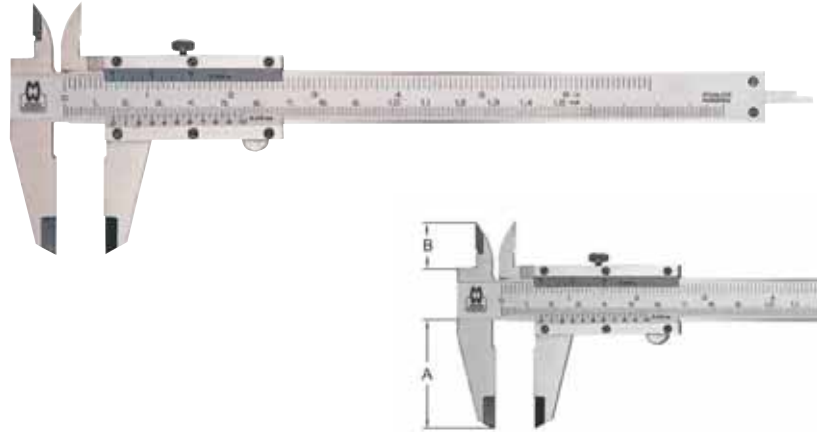
	PAGE NO.
Calipers	2-17
Depth Gauges	18-19
Height Gauges	20-22
Micrometers	23-41
Bore Gauging	42
Indicators	43-46
Thickness Gauges	47-48
Indicator Stands	49-52
Engineers' Sets	53-54
Hand Tools	55-79
Index	80-85



Workshop Vernier Caliper 100 Series

Features

- Standard DIN 862
- Standard workshop model with locking screw
- 4-way measurement
- Made of hardened stainless steel
- Chromed scale with laser engraved graduations
- Measuring surface is micro-lapped
- Supplied in case



WORKSHOP VERNIER CALIPER

Code No	Range (mm)	Range (inch)	Resolution (mm)	Resolution (inch)	Accuracy (mm)	Dimn - A	Dimn - B
MW100-15B	0-150	0-6	0.05	1/128	±0.05	40	16
MW100-20B	0-200	0-8	0.05	1/128	±0.05	50	20
MW100-30B	0-300	0-12	0.05	1/128	±0.08	55	20
MW100-15BI	0-150	0-6	0.02	0.001	±0.02	40	16
MW100-20BI	0-200	0-8	0.02	0.001	±0.03	50	20
MW100-30BI	0-300	0-12	0.02	0.001	±0.04	55	20

Workshop Vernier Caliper 105 Series

Features

- Standard DIN 862
- Standard workshop model with a locking screw
- With fine adjustment
- 4-way measurement
- Made of hardened stainless steel
- Chromed scale with laser engraved graduations
- Measuring surface is micro-lapped
- Packed in plastic box



WORKSHOP VERNIER CALIPER

Code No	Range (mm)	Range (inch)	Resolution (mm)	Resolution (inch)	Jaws
MW105-20	0-200	0-8	0.05	1/128	50mm
MW105-30	0-300	0-12	0.05	1/128	55mm
MW105-20I	0-200	0-8	0.02	0.001	50mm
MW105-30I	0-300	0-12	0.02	0.001	55mm

Precision Miniature Vernier Caliper 110 Series

Features

- Standard DIN 862
- Extra small precision vernier caliper
- 4-way measurement
- Made of hardened stainless steel
- Mono block
- Chromed scale with laser engraved graduations
- Measuring surface is micro-lapped
- Supplied with leather-look wallet



PRECISION MINIATURE VERNIER CALIPER

Code No	Range (mm)	Resolution (mm)	Jaws
MW110-07	0-70	0.05	20mm

Precision Vernier Caliper 110 Series

Features

- Standard DIN 862
- High precision vernier caliper
- 4-way measurement
- Mono block
- Made of hardened stainless steel
- Chromed scale with laser engraved graduations
- The scale shows both mm and inch value
- Measuring surface is micro-lapped
- Supplied with leather-look wallet



PRECISION VERNIER CALIPER

Code No	Range (mm)	Range (inch)	Resolution (mm)	Resolution (inch)	Jaws
MW110-15	0-150	0-6	0.05	1/128	40mm
MW110-15I	0-150	0-6	0.02	0.001	40mm
MW110-20	0-200	0-8	0.05	1/128	40mm
MW110-30	0-300	0-12	0.05	1/128	55mm

Thumb Lock Vernier Caliper 115 Series

Features

- Standard: DIN 862
- Precision vernier caliper
- Mono block
- 4-way measurement
- Made of hardened stainless steel
- Chromed scale with laser engraved graduations
- The scale shows both mm and inch value
- Measuring surface is micro-lapped
- Supplied with leather-look wallet



THUMB LOCK VERNIER CALIPER

Code No	Range (mm)	Range (inch)	Resolution (mm)	Resolution (inch)	Jaws
MW115-15	0-150	0-6	0.05	1/128	40mm
MW115-15I	0-150	0-6	0.02	0.001	40mm

Fine Adjustment Vernier Caliper 111 Series

Features

- Standard: DIN 862
- High precision vernier caliper
- With fine adjustment
- 4-way measurement
- Mono block
- Made of hardened stainless steel
- Measuring surface is micro-lapped
- Supplied in plastic box



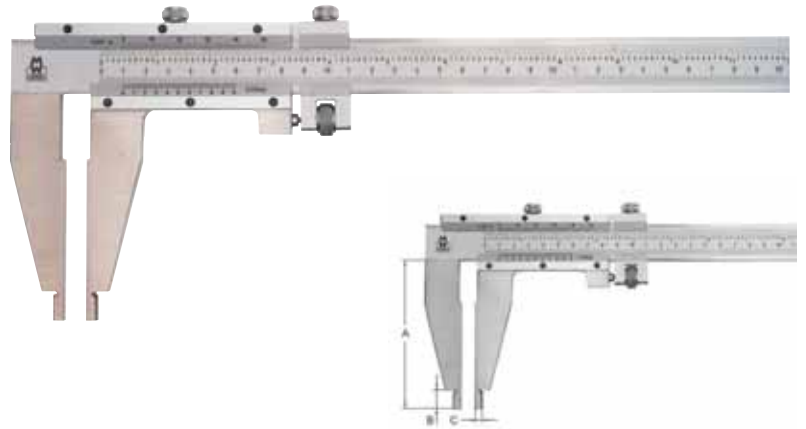
FINE ADJUSTMENT VERNIER CALIPER

Code No	Range (mm)	Range (inch)	Resolution (mm)	Resolution (inch)	Jaws
MW111-15I	0-150	0-6	0.05	1/128	40mm

Large Workshop Vernier Caliper 150 Series

Features

- Standard workshop model with locking screw
- Jaws for internal and external measurement
- Made of hardened alloyed stainless steel
- Chromed scale with laser engraved graduations
- Measuring surface is micro-lapped
- With fine adjustment
- Supplied in wooden box



LARGE WORKSHOP VERNIER CALIPER

Code No	Range (mm)	Range (inch)	Resolution (mm)	Resolution (inch)	Accuracy (mm)	Dimn - A	Dimn - B	Dimn - C
MW150-52	0-500	0-20	0.02	0.001	±0.05	100	12	5
MW150-55	0-500	0-20	0.05	1/128	±0.07	100	12	5
MW150-62	0-600	0-24	0.02	0.001	±0.05	100	12	5
MW150-65	0-600	0-24	0.05	1/128	±0.08	100	12	5
MW150-72	0-1000	0-40	0.02	0.001	±0.07	125	18	10
MW150-75	0-1000	0-40	0.05	1/128	±0.10	125	18	10
MW150-82	0-1500	0-60	0.02	0.001	±0.11	150	18	10
MW150-85	0-1500	0-60	0.05	1/128	±0.16	150	18	10

Mono Block Large Workshop Vernier Caliper 152 Series

Features

- Standard workshop model with locking screw
- Mono block solid slider
- Made of hardened alloyed stainless steel
- Jaws for internal and external measurement
- Chromed scale with laser engraved graduations
- Measuring surface is micro-lapped
- With fine adjustment
- Packed in wooden box



MONO BLOCK LARGE WORKSHOP VERNIER CALIPER

Code No	Range (mm)	Resolution (mm)	Jaws
MW152-55	0-500	0.05	100mm
MW152-65	0-600	0.05	100mm
MW152-75	0-1000	0.05	125mm

Long Jaw Vernier Caliper 155 Series

Features

- With longer jaws which permit the measurement of large workpieces
- Jaws for internal and external measurement
- Locking screw for locking the slider
- Made of hardened stainless steel
- Chromed scale with engraved graduations
- Measuring surface is micro-lapped
- With fine adjustment
- Locking screw



LONG JAW VERNIER CALIPER

Code No	Range (mm)	Range (inch)	Resolution (mm)	Resolution (inch)	Jaws
MW155-32	0-300	0-12	0.02	0.001	150mm
MW155-35	0-300		0.05		150mm
MW155-52	0-500	0-20	0.02	0.001	200mm
MW155-55	0-500		0.05		200mm
MW155-62	0-600	0-24	0.02	0.001	300mm
MW155-65	0-600		0.05		300mm
MW155-72	0-1000	0-40	0.02	0.001	300mm

Workshop Vernier Caliper 160 Series

Features

- Combination-jaw model
- Standard jaws for internal and external measurement, with top knife edge jaws for external measurement
- Locking screw for locking the slider/jaws
- Made of hardened stainless steel
- Chromed scale with engraved graduations
- Measuring surface is micro-lapped
- With fine adjustment



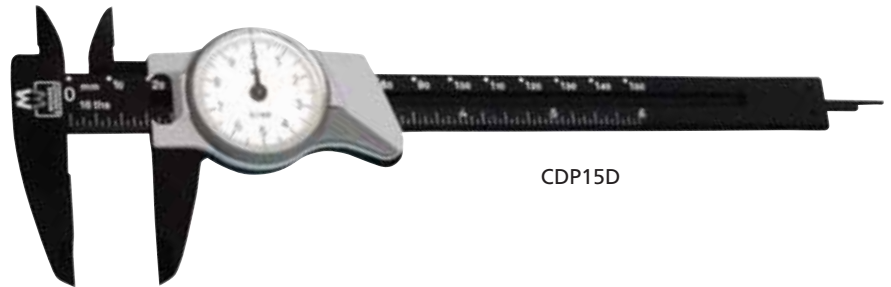
WORKSHOP VERNIER CALIPER

Code No	Range (mm)	Resolution (mm)	Jaws
MW160-20	0-200	0.05	60mm
MW160-22	0-200	0.02	60mm
MW160-30	0-300	0.05	90mm
MW160-32	0-300	0.02	90mm

Plastic Dial Caliper

Features

- 4-way measurement
- Manufactured from glass reinforced nylon material
- Highly durable design
- Plastic depth rod



CDP15D

METRIC: DIAL CALIPER

Code No	Range (mm)	Resolution (mm)	Accuracy (mm)	Jaws
CDP150M	0-150	0.1	± 0.1	40mm

IMPERIAL: DIAL CALIPER

Code No	Range (inch)	Resolution (inch)	Accuracy (inch)	Jaws
CDP006E	0-6	0.01	± 0.004	1.57"

Dial Caliper 140 Series

Features

- 4-way measurement
- Made of alloyed hardened stainless steel
- High precision mono block design
- Chromed scale with engraved graduations
- Rack cover prevents dust or grit fouling teeth of rack
- Measuring surface is micro-lapped
- Thumb wheel for fine adjustment
- Supplied in case



DIAL CALIPER

Code No	Range (mm)	Resolution (mm)	Accuracy (mm)	Jaws
MW140-15	0-150	0.02	±0.03	40mm
MW140-20	0-200	0.02	±0.03	55mm
MW140-30	0-300	0.02	±0.04	55mm

Dial Caliper 141 Series

Features

- Standard: DIN 862
- 4-way measurement
- Made of alloyed hardened stainless steel
- Measuring surface is micro-lapped
- Thumb wheel for fine adjustment
- Covered rack
- Supplied in case



DIAL CALIPER

Code No	Range (mm)	Resolution (mm)	Accuracy (mm)	Code No	Range (inch)	Resolution (inch)	Accuracy (inch)
MW141-15	0-150	0.02	±0.03	MW141-15I	0-6	0.001	±0.001

Dial Caliper 142 Series

Features

- Standard: DIN 862
- Shockproof dial caliper
- Yellow indicator plate with black pointer
- 4-way measurement
- Made of alloyed hardened stainless steel
- Measuring surface is micro-lapped
- Thumb wheel for fine adjustment
- Covered rack
- Supplied in case



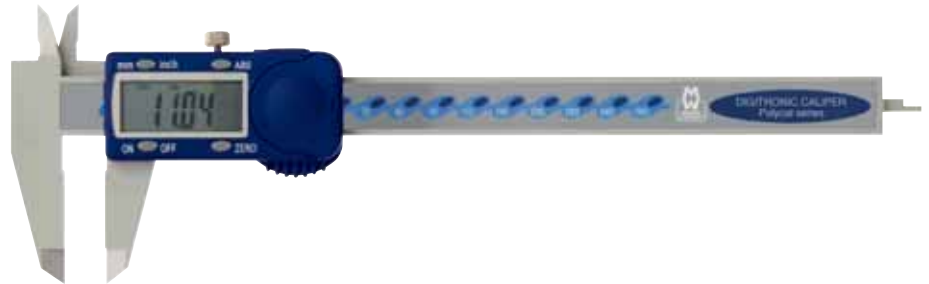
DIAL CALIPER

Code No	Range (mm)	Resolution (mm)	Accuracy (mm)
MW142-15	0-150	0.02	±0.03
MW142-20	0-200	0.02	±0.03
MW142-30	0-300	0.02	±0.04

Plastic Digital Caliper

Features

- Digital functions: mm/inch conversion, ABS/INC, on/off, zero setting
- 4-way measurement
- Polycarbonate frame
- CR2032 battery
- Supplied retail packed with vinyl pouch



POLYCARBONATE DIGITAL CALIPER

Code No	Range (mm)	Range (inch)	Resolution (mm)	Resolution (inch)	Accuracy (mm)	Accuracy (inch)	Jaws
MW110-15DPC	0-150	0-6	0.01	0.0005	0.2	0.008	40mm

Digital Pocket Caliper 110 Series

Features

- Digital Functions: mm/inch conversion, on / off, ZERO setting
- All metal parts made of hardened steel
- 4-way measurement



DIGITAL POCKET CALIPER

Code No	Range (mm)	Range (inch)	Resolution (mm)	Resolution (inch)	Jaws
MW110-10DPT	0-100	0-4	0.01	0.0005	30mm

Workshop Digital Caliper 110-DBL Series

Features

- Standard: DIN 862
- Functions: mm/inch conversion, on/off, zero-setting, ABS/INC, Auto off
- 4-way measurement
- All metal parts made of hardened stainless steel
- Thumb wheel for fine adjustment
- CR2032 battery
- Supplied in case



WORKSHOP DIGITAL CALIPER

Code No	Range (mm)	Range (inch)	Resolution (mm)	Resolution (inch)	Accuracy (mm)	Jaws
MW110-15DBL	0-150	0-6	0.01	0.0005	0.03	40mm
MW110-20DBL	0-200	0-8	0.01	0.0005	0.03	50mm
MW110-30DBL	0-300	0-12	0.01	0.0005	0.04	60mm

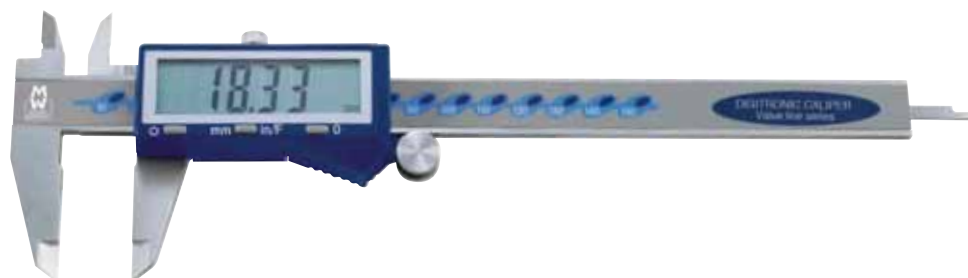
Fractional Reading Digital Caliper DFC Series

Features

- Extra large, easy-to-read LCD display
- High measuring speed: 120" per second
- Functions: mm / inch / fraction conversion, on / off, zero-setting
- Reading options: Metric / Inch / Fraction
- 4-way measurement
- Stainless steel frame with extra smooth movements
- Thumb wheel for fine adjustment
- CR2032 battery



FRACTION



FRACTIONAL READING DIGITAL CALIPER

Code No	Range (mm)	Range (inch)	Resolution (mm)	Resolution (inch)	Accuracy (mm)	Jaws
MW110-15DFC	0-150	0-6	0.01	0.0005 / 1/128	0.03	40mm
MW110-20DFC	0-200	0-8	0.01	0.0005 / 1/128	0.03	50mm
MW110-30DFC	0-300	0-12	0.01	0.0005 / 1/128	0.03	60mm

Digital Caliper 110-DDL Series

Features

- Standard: DIN 862
- Ground micro-lapped measuring surfaces
- Thumb wheel for fine adjustment
- Functions: mm/inch conversion, on/off, zero-setting, battery low indication
- Battery SR44
- 4-way measurement



DIGITAL CALIPER

Code No	Range (mm)	Range (inch)	Resolution (mm)	Resolution (inch)	Jaws
MW110-15DDL	0-150	0-6	0.01	0.0005	40mm
MW110-20DDL	0-200	0-8	0.01	0.0005	50mm
MW110-30DDL	0-300	0-12	0.01	0.0005	60mm

Digital Absolute Caliper 110-DABS Series

Features

- Absolute Measuring System
- USB data output
- Digital functions: mm/Inch conversion, on/off, data-output, 0...ABS
- 4-way measurement
- Thumb wheel for fine adjustment
- CR2032 Battery



DIGITAL ABSOLUTE CALIPER

Code No	Range (mm)	Range (inch)	Resolution (mm)	Resolution (inch)	Accuracy (mm)	Accuracy (inch)
MW110-15DABS	0-150	0-6	0.01	0.0005	0.02	0.001
MW110-20DABS	0-200	0-8	0.01	0.0005	0.03	0.0015
MW110-30DABS	0-300	0-12	0.01	0.0005	0.03	0.0015

DATA CABLE

Code No	Description
MW-Y100/700USB	Data Cable-USB to suit all DABS products

IP54 Water Resistant Caliper

Features

- Standard: DIN 862
- Water and dust resistant to IP54 specification
- Digital functions: mm/inch conversion, on/off, zero setting, ABS/INC
- Patented ceramic capacitive sensor
- 4-way measurement
- Thumb wheel for fine adjustment
- CR2032 battery



WATER RESISTANT CALIPER

Code No	Range (mm)	Range (inch)	Resolution (mm)	Resolution (inch)	Accuracy (mm)	Jaws
MW110-15WR	0-150	0-6	0.01	0.0005	0.03	40mm
MW110-20WR	0-200	0-8	0.01	0.0005	0.03	50mm
MW110-30WR	0-300	0-12	0.01	0.0005	0.04	60mm

IP67 Waterproof Digital Caliper

Features

- Standard: DIN 862
- Water, coolant and dust proof to IP67 specification
- Functions: mm/inch conversion, on/off, zero setting
- CR2032 battery
- 4-way measurement



WATERPROOF DIGITAL CALIPER

Code No	Range (mm)	Range (inch)	Resolution (mm)	Resolution (inch)	Accuracy (mm)	Jaws
MW110-15DIP	0-150	0-6	0.01	0.0005	0.03	40mm

Digital External Groove Caliper 120 Series

Features

- Jaws for measuring external grooves, undercuts etc
- Functions: mm/inch conversion, on/off, data-output, zero-setting, battery low indication
- Thumb wheel for fine adjustment



DIGITAL CALIPER FOR EXTERNAL GROOVES

Code No	Range (mm)	Range (inch)	Resolution (mm)	Resolution (inch)
MW120-15DC	0-150	0-6	0.01	0.0005

Digital Internal Groove Caliper 125 Series

Features

- Functions: mm/inch conversion, on/off, data-output, zero-setting, battery low indication
- Thumb wheel for fine adjustment



DIGITAL CALIPER FOR INTERNAL GROOVES

Code No	Range (mm)	Range (inch)	Resolution (mm)	Resolution (inch)
MW125-15DC	0-150	0-6	0.01	0.0005

Digital External Groove Caliper 120 Series

Features

- Features pin jaws for measuring of external grooves
- Thumb wheel for fine adjustment
- Functions: mm/inch conversion, on/off, data-output, zero-setting, battery low indication



DIGITAL CALIPER FOR EXTERNAL GROOVES

Code No	Range (mm)	Range (inch)	Resolution (mm)	Resolution (inch)
MW120-15DB	0-150	0-6	0.01	0.0005

Digital Long Jaw Caliper 110-DLJ Series

Features

- Digital functions: mm / inch conversion, on/off, zero-setting, ABS / zero, battery low indication
- Heavy duty design
- Long jaws with internal measuring nibs
- Ground micro-lapped measuring surfaces
- Thumb wheel for fine adjustment



DIGITAL LONG JAW CALIPER

Code No	Range (mm)	Range (inch)	Resolution (mm)	Resolution (inch)	Accuracy (mm)	Jaws	Internal Nibs
MW110-15DLJ	0-150	0-6	0.01	0.0005	±0.03	60mm	10 x 5mm

Large Digital Workshop Caliper 150 Series

Features

- Digital functions: mm / inch conversion, on/off, data-output, zero-setting, ABS / zero, battery low indication
- Long jaws with internal measuring nibs
- Ground micro-lapped measuring surfaces
- Thumb wheel for fine adjustment



LARGE DIGITAL WORKSHOP CALIPER

Code No	Range (mm)	Range (inch)	Resolution (mm)	Resolution (inch)	Accuracy (mm)	Jaws	Internal Nibs
MW150-50DDL	0-500	0-20	0.01	0.0005	±0.05	100mm	18 x 10mm
MW150-60DDL	0-600	0-24	0.01	0.0005	±0.05	100mm	24 x 10mm
MW150-75DDL	0-1000	0-40	0.01	0.0005	±0.07	125mm	24 x 10mm

Heavy Duty Digital Workshop Caliper 160-D Series

Features

- Heavy duty design
- Digital functions: mm / inch conversion, on/off, zero-setting, battery low indication
- Standard jaws with nibs for internal measuring, top knife jaws for external measuring
- Ground micro-lapped measuring surfaces
- Thumb wheel for fine adjustment



HEAVY DUTY DIGITAL WORKSHOP CALIPER

Code No	Range (mm)	Range (inch)	Resolution (mm)	Resolution (inch)	Accuracy (mm)	Jaws	External Knife Edge	Internal Nibs
MW160-20D	0-200	0-8	0.01	0.0005	±0.03	60mm	12mm	33.5 x 5mm
MW160-30D	0-300	0-12	0.01	0.0005	±0.04	60mm	12mm	38 x 5mm

Vernier Depth Gauge 170 Series

Features

- Standard workshop model made of alloyed stainless steel
- Mono block with locking screw
- With laser engraved graduations
- Measuring surface is micro-lapped



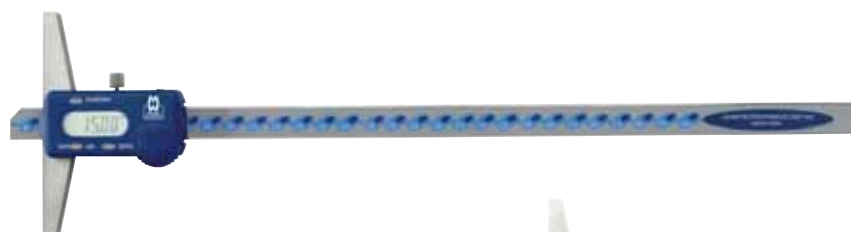
VERNIER DEPTH GAUGE

Code No	Range (mm)	Resolution (mm)	Resolution (inch)	Size of Base (mm)
MW170-15	0-150	0.02	0.001	100
MW170-15B	0-150	0.05	1/128	100
MW170-20	0-200	0.02	0.001	100
MW170-20B	0-200	0.05	1/128	100
MW170-30	0-300	0.02	0.001	100
MW170-30B	0-300	0.05	1/128	100
MW170-50B	0-500	0.05	1/128	150
MW170-50BI	0-500	0.02	0.001	150

Digital Depth Gauge Caliper 170-DB/DH Series

Features

- Ground micro-lapped measuring surfaces
- Functions: mm/inch conversion, on/off, zero setting, battery low indication
- Supplied without Hook (B) available with Hook (H)- On Request



H - With Hook



DEPTH CALIPER (Without Hook)

Code No	Range (mm)	Range (inch)	Resolution (mm)	Resolution (inch)	Accuracy (mm)	Size of Base (mm)
MW170-15DB	0-150	0-6	0.01	0.0005	0.03	100
MW170-20DB	0-200	0-8	0.01	0.0005	0.03	100
MW170-30DB	0-300	0-12	0.01	0.0005	0.04	150
MW170-30DB/100	0-300	0-12	0.01	0.0005	0.04	100

DEPTH CALIPER (With Hook)

Code No	Range (mm)	Range (inch)	Resolution (mm)	Resolution (inch)	Accuracy (mm)	Size of Base (mm)
MW170-15DH	0-150	0-6	0.01	0.0005	0.03	100
MW170-20DH	0-200	0-8	0.01	0.0005	0.03	100
MW170-30DH	0-300	0-12	0.01	0.0005	0.04	100

Note: Hook width: 2mm

Internal Digital Caliper

Incorporating advanced electronics, these advanced gauges have the benefit of a large digital readout and an auto adjusting analogue display. These gauges are ideally suited for measuring bores, internal grooves and other hard to reach inside dimensions.



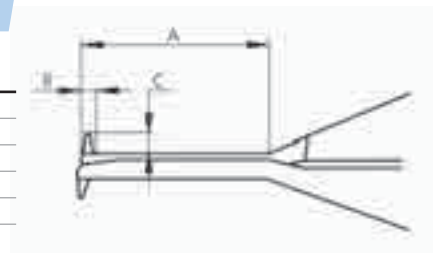
Features

- For measuring bores, internal grooves and other hard to reach inside dimensions
- Large LCD display
- Functions: mm/inch conversion, on/off, zero setting, battery low indication
- Auto adjusting analogue display
- 0.005mm or 0.0002" resolution



INTERNAL DIGITAL CALIPER SPECIFICATION

Code No	Range (mm)	Range (inch)	Accuracy (mm)	Dimn - A	Dimn - B	Dimn - C	Contact Radius
MW432-01DC	5-15	0.2-0.6	±0.02	20.0	1.0	1.5	0.3mm
MW432-02DC	10-20	0.4-0.8	±0.02	25.0	1.5	3.0	0.3mm
MW432-03DC	20-30	0.8-1.2	±0.02	30.0	2.0	6.5	0.5mm
MW432-04DC	30-40	1.2-1.6	±0.02	30.0	2.5	9.0	0.5mm
MW432-05DC	40-50	1.6-2.0	±0.02	30.0	2.5	9.0	0.5mm



External Digital Caliper

Incorporating advanced electronics, these advanced gauges have the benefit of a large digital readout and an auto adjusting analogue display. These gauges are ideally suited for measuring external grooves and other hard to reach outside dimensions.



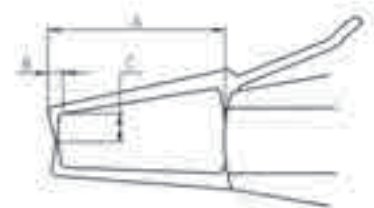
Features

- For measuring bores, internal grooves and other hard to reach inside dimensions
- Large LCD display
- Functions: mm/inch conversion, on/off, zero setting, battery low indication
- Auto adjusting analogue display
- 0.005mm or 0.0002" resolution



EXTERNAL DIGITAL CALIPER SPECIFICATION

Code No	Range (mm)	Range (inch)	Accuracy (mm)	Dimn - A	Dimn - B	Dimn - C	Contact Radius
MW442-01DC	0-10	0.2-0.4	±0.02	40.0	3.0	8.0	0.5mm
MW442-02DC	10-20	0.4-0.8	±0.02	40.0	3.0	8.0	0.5mm
MW442-03DC	20-30	0.8-1.2	±0.02	40.0	3.0	8.0	0.5mm
MW442-04DC	30-40	1.2-1.6	±0.02	40.0	3.0	8.0	0.5mm
MW442-05DC	40-50	1.6-2.0	±0.02	40.0	3.0	8.0	0.5mm



Dial Depth Gauge 172 Series

Features

- 0-25mm travel dial indicator
- Satin chrome finish
- Rods connect together for full 550mm capacity
- Base size: 100mm
- Includes 2 extra points for small hole applications



MECHANICAL DEPTH GAUGE

Code No	Range (mm)	Resolution (mm)
MW172-01	0-550	0.01

Digital Depth Gauge 172 Series

Features

- 0-25mm / 0-1" travel
- Functions: mm / inch conversion, on/ off, zero-setting
- Rods connect together for full 550mm capacity
- Base size: 100mm
- Includes 2 extra points for small hole applications



DIGITAL DEPTH GAUGE

Code No	Range (mm)	Range (inch)	Resolution (mm)	Resolution (inch)
MW172-01D	0-550	0-22	0.01	0.0005

Digital Tyre Tread Gauge 176-DTG Series

Features

- Spring loaded with a hold measurement button for ease of use
- 2.5mm spindle diameter
- Digital functions: mm/inch conversion, hold readings, on/off, zero-setting
- Vinyl holder supplied as standard
- Supplied on retail packaging



DIGITAL TYRE TREAD GAUGE DEPTH

Code No	Range (mm)	Range (inch)	Resolution (mm)	Resolution (inch)
MW176-01DTG	0-25	0-1	0.01	0.0005

Digital Mini Depth Gauge 177 Series

Features

- Spring loaded with hold measurement button for ease of use
- Supplied on retail packaging
- Plastic 50mm base
- M2.5 threaded measuring rod
- 25mm / 1" measuring stroke
- Includes 25mm and 50mm extension bars
- Battery CR2032
- Metric / Inch / Fraction reading



DIGITAL MINI DEPTH GAUGE

Code No	Range (mm)	Range (inch)	Resolution (mm)	Resolution (inch)
MW177-01D	0-100	0-4	0.01	0.0005 / 1/128

Digital Inside / Outside Calipers

Features

- Large LCD display
- Spring-loaded travel
- Alloy jaws, chrome finished
- Reading: inch/metric
- Hold Button



Outside Caliper
MW-526DIG

Inside Caliper
MW-516DIG

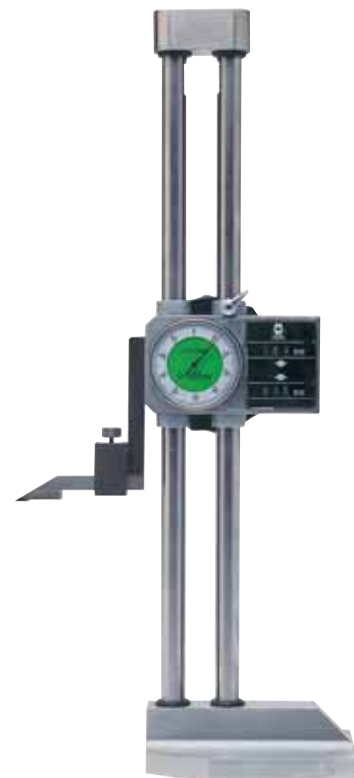
DIGITAL INSIDE / OUTSIDE CALIPERS

Code No	Range (mm)	Range (inch)	Resolution (mm)	Resolution (inch)
MW-516DIG	12.7-150	0.5-6	0.1	0.005
MW-526DIG	0-150	0-6	0.1	0.005

Double Column Height Gauge 195 Series

Features

- Features dual directional mechanical counters and dial indicator for fast, error free measurements
- Provided with a hand feed wheel for easy up and down feeding
- The mechanical digital counters can be set to zero at any position
- The double column combines high stability with absolute accuracy
- With carbide tipped scriber
- The counter reads steps of 1mm



DOUBLE COLUMN HEIGHT GAUGE

Code No	Range (mm)	Resolution (mm)	Size of Base (mm)
MW195-30	0-300	0.01	125 x 85
MW195-50	0-600	0.01	180 x 120

Digital Mini Height Gauge 192 Series

Features

- Large LCD display
- Functions: mm / inch / fractional, ABS, Hold
- Solid aluminium alloy base with magnets
- Hardened stainless steel beam
- IP54 water, dust and oil resistant protection



DIGITAL MINI HEIGHT GAUGE

Code No	Range (mm)	Range (inch)	Accuracy (mm)	Accuracy (inch)
MW192-20D	0-150	0-6	0.03	0.001

Digital Height Gauge 190 Series

Features

- Easy to read LCD display
- Functions: mm/inch conversion, on/off, zero setting, battery low indication
- Soft keys for maximum operating comfort
- Ground micro-lapped measuring surfaces
- Fine adjustment for high precision measurement



DIGITAL HEIGHT GAUGE

Code No	Range (mm)	Range (inch)	Resolution (mm)	Resolution (inch)	Accuracy (mm)	Size of Base (mm)
MW190-30DBL	0-300	0-12	0.01	0.001	0.04	90 x 140
MW190-50DBL	0-500	0-20	0.01	0.001	0.05	120 x 180
MW190-60DBL	0-600	0-24	0.01	0.001	0.05	120 x 180

Digital Height Gauge 193 Series

Features

- Easy to read LCD Display
- Functions: mm/inch conversion, on/off, zero setting, battery low indication
- Ground & Micro lapped measuring surfaces
- Fine adjustment for high precision measurement
- Hand wheel operation with positive lock
- Supplied with carbide tipped scriber



DIGITAL HEIGHT GAUGE

Code No	Range (mm)	Resolution (mm)	Repeatability (mm)	Accuracy (mm)
MW193-30DDL	0-300	0.01	0.01	+/- 0.040
MW193-60DDL	0-600	0.01	0.01	+/- 0.050

Double Column Digital Height Gauge 195 Series

Features

- Carbide tipped scriber
- Large 7.5mm high, digital display
- Soft keys for maximum operating comfort
- Ground micro-lapped measuring surfaces
- Functions: mm/inch conversion, on/off, data-output, zero-setting, max, min, battery low indication



DIGITAL DOUBLE COLUMN HEIGHT GAUGE

Code No	Range (mm)	Range (inch)	Resolution (mm)	Resolution (inch)	Accuracy (mm)	Size of Base (mm)
MW195-30DDL	0-300	0-12	0.01	0.0005	0.03	125 x 85
MW195-60DDL	0-600	0-24	0.01	0.0005	0.06	180 x 120

Traditional External Micrometer 1961 Series

Features

- Standard: BS870, DIN 863/1, ISO361
- Tungsten carbide measuring faces
- 5 mm spindle diameter
- Tapered bow frame
- Pearl-chrome plated frame with insulation pads
- Speeder type ratchet
- Choice of standard or vernier type sleeve
- Locking lever
- Adjusting key
- Supplied in plastic pocket case



MECHANICAL EXTERNAL MICROMETER

Code No	Range (mm)	Resolution (mm)	Code No	Range (inch)	Resolution (inch)
1961M	0-25	0.01	1961	0-1	0.001
1961MB	0-25	0.002	1961B	0-1	0.0001

ACCURACY

Micrometer Range Max Size up to	Measuring Faces Flatness	Screw Pitch Parallelism	Accuracy
25mm	0.001mm	0.003mm	0.003mm
1"	0.00005"	0.0001"	0.0001"

Traditional External Micrometer 1965 Series

Features

- Standard: BS870, DIN 863/1, ISO361
- Tungsten carbide measuring faces
- 6.5mm spindle diameter
- Blue textured tapered bow frame
- Speeder type ratchet
- Choice of standard or vernier type sleeve
- Locking lever
- Adjusting key
- Supplied in plastic pocket case



MECHANICAL EXTERNAL MICROMETER

Code No	Range (mm)	Resolution (mm)	Code No	Range (inch)	Resolution (inch)
1965M	0-25	0.01	1965	0-1	0.001
1965MB	0-25	0.002	1965B	0-1	0.0001

ACCURACY

Micrometer Range Max Size up to	Measuring Faces Flatness	Screw Pitch Parallelism	Accuracy
25mm	0.001mm	0.003mm	0.003mm
1"	0.00005"	0.0001"	0.0001"

Traditional External Micrometers, 966 Series

Complies with: BS870, DIN 863/1, ISO361

966 Series Features:

- Tungsten carbide measuring faces
- Blue textured frame finish
- Speeder type ratchet
- Locking lever
- Adjusting key
- Supplied in case
- Choice of standard or vernier type sleeve
- Spindle diameter 6.5mm
- Supplied with setting standard



MOORE & WRIGHT MICROMETER SETTING STANDARDS

Metric Code No	Length (mm)	Tolerance +/- (mm)	Imperial Code No	Length (inch)	Tolerance +/- (inch)
980M25	25	0.001	9801	1	0.00005
980M50	50	0.002	9802	2	0.0001
980M75	75	0.002	9803	3	0.0001
980M100	100	0.002	9804	4	0.0001
980M125	125	0.002	9805	5	0.0001

Hardened and Ground Steel Measuring Faces with Spherical Ends Fitted Insulating Sleeve Marked with Nominal Size

ACCURACY

Micrometer Range	Measuring Faces		Screw Pitch Accuracy	
	Max Size up to	Flatness		Parallelism
50mm	2"	0.001mm	0.003mm	0.003mm
150mm	6"	0.001mm	0.005mm	0.003mm
		0.00005"	0.0002"	0.0001"

MECHANICAL EXTERNAL MICROMETERS - METRIC: 25-150MM

Code No	Range (mm)	Description	Code No	Range (mm)	Description
1966M50	25-50	0.01mm Carbide anvils	1966MB50	25-50	0.002mm Carbide anvils
1966M75	50-75	0.01mm Carbide anvils	1966MB75	50-75	0.002mm Carbide anvils
1966M100	75-100	0.01mm Carbide anvils	1966MB100	75-100	0.002mm Carbide anvils
1966M125	100-125	0.01mm Carbide anvils	1966MB125	100-125	0.002mm Carbide anvils
1966M150	125-150	0.01mm Carbide anvils	1966MB150	125-150	0.002mm Carbide anvils

MECHANICAL EXTERNAL MICROMETERS - IMPERIAL: 1-6"

Code No	Range (inch)	Description	Code No	Range (inch)	Description
19662	1-2	0.001" Res, Carbide anvils	1966B2	1-2	0.0001" Res, Carbide anvils
19663	2-3	0.001" Res, Carbide anvils	1966B3	2-3	0.0001" Res, Carbide anvils
19664	3-4	0.001" Res, Carbide anvils	1966B4	3-4	0.0001" Res, Carbide anvils
19665	4-5	0.001" Res, Carbide anvils	1966B5	4-5	0.0001" Res, Carbide anvils
19666	5-6	0.001" Res, Carbide anvils	1966B6	5-6	0.0001" Res, Carbide anvils

Micrometer Ball Attachment

Features

- Can be fitted to the anvil or spindle of external micrometer series 1961, 1965 and 1966 to enable round or irregular surfaces to be measured
- The ball is hardened and moves freely to allow contact with the object being measured

Note: Always deduct the ball diameter from any reading.



MICROMETER BALL ATTACHMENT

Code No	Description	Diameter (mm)	Diameter (inch)	Note
878M	6.5mm and 6.8mm	6.5 ball	-	1 of each spindle size supplied
878	0.256" and 0.268"	-	0.250 ball	1 of each spindle size supplied

Workshop Outside Micrometer 200 Series

Features

- Standard: DIN 863
- Standard workshop model
- Resolution 0.01mm
- Satin-chrome scale
- Painted frame
- Tapered for easier access to difficult areas
- With tungsten carbide measuring face and constant force ratchet
- Packed in plastic box with standard and adjusting key



METRIC

Code No	Range (mm)	Resolution (mm)
MW200-01BL	0-25	0.01
MW200-02BL	25-50	0.01
MW200-03BL	50-75	0.01
MW200-04BL	75-100	0.01

External Micrometer 200 Series

Features

- Standard: DIN 863 / 1
- Tungsten carbide measuring faces
- Satin chrome scale
- Hammertone finish frame with insulated grip
- Tapered for easier access to difficult areas
- Constant force ratchet on thimble
- Locking lever
- Adjusting key
- Supplied in case with setting standard



METRIC

Code No	Range (mm)	Resolution (mm)
MW200-01	0-25	0.01
MW200-02	25-50	0.01
MW200-03	50-75	0.01
MW200-04	75-100	0.01

IMPERIAL

Code No	Range (inch)	Resolution (inch)
MW200-01I	0-1	0.0005
MW200-02I	1-2	0.0005
MW200-03I	2-3	0.0005
MW200-04I	3-4	0.0005

Workshop Digital Micrometer 200 Series

Features

- Standard: DIN 863
- Large LCD display
- Functions: mm/inch conversion, ABS/INC, on/off, zero-setting
- Tungsten carbide measuring faces
- Hammertone finished frame with high quality insulated grip
- Tapered for easier access to difficult areas
- Constant force ratchet on thimble
- Locking lever
- Supplied with settings standard over 25mm
- Supplied in case



WORKSHOP DIGITAL EXTERNAL MICROMETER

Code No	Range (mm)	Range (inch)	Resolution (mm)	Resolution (inch)
MW200-01DBL	0-25	0-1	0.001	0.00005
MW200-02DBL	25-50	1-2	0.001	0.00005
MW200-03DBL	50-75	2-3	0.001	0.00005
MW200-04DBL	75-100	3-4	0.001	0.00005

Digital External Micrometer 201 Series

Features

- Standard: DIN 863
- Protected to IP54 specifications
- Large LCD display
- Digital functions: mm/inch conversion, ABS/INC, on/off, zero-setting
- Rugged steel design
- Tungsten carbide measuring faces
- Hammertone finished frame with high quality insulated grip
- Tapered for easier access to difficult areas
- Constant force ratchet on thimble
- Locking lever
- Ball attachment included
- Supplied with settings standard over 25mm
- Supplied in case



DIGITAL EXTERNAL MICROMETER

Code No	Range (mm)	Range (inch)	Resolution (mm)	Resolution (inch)
MW201-01DAB	0-25	0-1	0.001	0.00005
MW201-02DAB	25-50	1-2	0.001	0.00005
MW201-03DAB	50-75	2-3	0.001	0.00005
MW201-04DAB	75-100	3-4	0.001	0.00005

Digital Absolute Snap Micrometer 202 Series

Features

- Absolute Measuring System
- USB Data output
- Digital functions: mm/Inch conversion, on/off, data-output, 0...ABS
- Non rotating spindle
- Constant measuring force on thimble
- Quick & repeatable measurement
- CR2032 battery



DIGITAL ABSOLUTE SNAP MICROMETER

Code No	Range (mm)	Range (inch)	Resolution (mm)	Resolution (inch)	Accuracy (mm)	Accuracy (inch)
MW202-01DABS	0-25	0-1	0.001	0.00005	0.003	0.00015
MW202-02DABS	25-50	1-2	0.001	0.00005	0.003	0.00015
MW202-03DABS	50-75	2-3	0.001	0.00005	0.004	0.0002
MW202-04DABS	75-100	3-4	0.001	0.00005	0.004	0.0002

DATA CABLE

Code No	Description
MW-Y100/700USB	Data Cable-USB to suit all DABS products

Large External Metric Micrometer 210 Series

Features

- Standard: DIN 863
- Tungsten carbide measuring faces
- Satin-chrome scale
- Strong forged steel hammertone finish frame with insulated grip
- Constant force ratchet on thimble
- Adjusting key
- Supplied with setting standards
- Supplied in wooden box



METRIC

Code No	Range (mm)	Resolution (mm)
MW210-01	100-125	0.01
MW210-02	125-150	0.01
MW210-03	150-175	0.01
MW210-04	175-200	0.01
MW210-05	200-225	0.01
MW210-06	225-250	0.01
MW210-07	250-275	0.01
MW210-08	275-300	0.01

Digital Large External Micrometer 210-DDL Series



Features

- Standard: DIN 863
- Digital functions: mm/inch conversion, on/off, zero-setting, battery low indication, hold, 0...ABS
- Tungsten carbide measuring faces
- Strong forged steel hammertone finish frame with insulated grip
- Constant force ratchet on thimble
- Supplied with setting standards and battery cover key
- Supplied in wooden box

EXTERNAL MICROMETER - Metric Only

Code No	Range (mm)	Resolution (mm)
MW210-01DDL	100-125	0.001
MW210-02DDL	125-150	0.001
MW210-03DDL	150-175	0.001
MW210-04DDL	175-200	0.001
MW210-05DDL	200-225	0.001
MW210-06DDL	225-250	0.001
MW210-07DDL	250-275	0.001
MW210-08DDL	275-300	0.001

Traditional Micrometer, Boxed Sets

Features

- Complies with BS870, DIN 863 / 1, ISO361
- Resolutions of 0.01mm or 0.002mm metric, 0.001" or 0.0001" imperial
- Tungsten carbide measuring faces
- 6.5mm spindle diameter for range between 0-150mm, 0-6"
- 6.8mm spindle diameter for range between 150-300mm, 6-12"
- Speeder type ratchet
- Locking lever
- Adjusting key
- Supplied with setting standards
- Supplied in fitted case



RESOLUTION 0.01MM

Code No	Range (mm)	Description	Quantity
MEB122M	0-75	Carbide anvils	3 Micrometers
MEB322M	0-150	Carbide anvils	6 Micrometers
MEB522M	0-300	Carbide anvils	12 Micrometers

RESOLUTION 0.002MM

Code No	Range (mm)	Description	Quantity
MEB222M	0-75	Carbide anvils	3 Micrometers
MEB422M	0-150	Carbide anvils	6 Micrometers
MEB622M	0-300	Carbide anvils	12 Micrometers

RESOLUTION 0.001"

Code No	Range (inch)	Description	Quantity
MEB122E	0-3	Carbide anvils	3 Micrometers
MEB322E	0-6	Carbide anvils	6 Micrometers
MEB522E	0-12	Carbide anvils	12 Micrometers

RESOLUTION 0.0001"

Code No	Range (inch)	Description	Quantity
MEB222E	0-3	Carbide anvils	3 Micrometers
MEB422E	0-6	Carbide anvils	6 Micrometers
MEB622E	0-12	Carbide anvils	12 Micrometers

Workshop External Micrometer Set 215 Series

Features

- Standard: DIN 863
- Tungsten carbide measuring faces
- Satin-chrome scale
- Satin-chrome forged steel frame with insulated grip
- Constant force ratchet on thimble
- Adjusting key
- Supplied with setting standards
- Supplied in wooden box



METRIC

Code No	Range (mm)	Resolution (mm)	Note
MW215-01BL	0-75	0.01	3 Micrometers In Set
MW215-02BL	0-100	0.01	4 Micrometers In Set
MW215-03BL	0-150	0.01	6 Micrometers In Set
MW215-04BL	0-200	0.01	8 Micrometers In Set

IMPERIAL

Code No	Range (inch)	Resolution (inch)	Note
MW215-01BLI	0-3	0.001	3 Micrometers In Set
MW215-02BLI	0-4	0.001	4 Micrometers In Set
MW215-03BLI	0-6	0.001	6 Micrometers In Set
MW215-04BLI	0-8	0.001	8 Micrometers In Set

Micrometer with Interchangeable Anvils 217 Series

Features

- Standard: DIN 863
- Features wide measuring range with interchangeable anvils
- Hardened and ground spindles/anvils
- Tungsten carbide measuring faces
- Satin-chrome scale
- Strong forged steel hammertone finish frame with insulated grip
- Constant force ratchet on thimble
- Adjusting key
- Supplied with setting standards
- Supplied in wooden box



METRIC

Code No	Range (mm)	Resolution (mm)
MW217-01	0-100	0.01
MW217-02	0-150	0.01
MW217-03	100-200	0.01
MW217-04	150-300	0.01
MW217-05	200-300	0.01

Analogue Snap Micrometer

Features

- Measuring range 0-25mm & 25-50mm
- Retractable anvil with an indicator for precise measurement of mass produced parts
- Micrometer accuracy 0.003mm
- Indicator accuracy 0.001mm
- Adjustable depth stop



METRIC

Code No	Range (mm)	Resolution (mm)	Indicator Range
MW290-01	0-25	0.001	+/- 0.04mm
MW290-02	25-50	0.001	+/- 0.04mm

Mechanical Digit Outside Micrometer 230 Series

Features

- Standard: DIN 863
- Low cost, mechanical/digital read-out micrometer
- Satin-chrome scale
- Forged steel frame with insulated grip
- Tapered for easier access to difficult areas
- With tungsten carbide measuring faces and constant force ratchet
- Packed in wooden/plastic box with standard and adjusting key



METRIC

Code No	Range (mm)	Resolution (mm)
MW230-01MDB	0-25	0.01
MW230-02MDB	25-50	0.01

Workshop Blade Micrometer 275 Series

Features

- Standard: DIN 863
- Measuring grooves, keyways etc.
- Blade 6.5mm non-rotating spindle
- Blade 1.25mm thick
- Satin chrome scale
- Hammertone finish frame with insulated grip
- Tapered for easier access to difficult areas
- Constant force ratchet on thimble
- Adjusting key
- Supplied in case



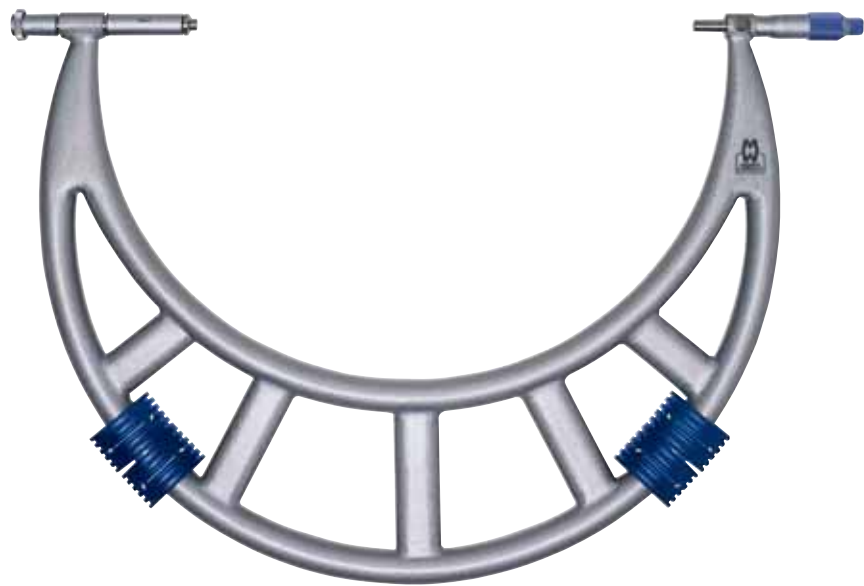
METRIC

Code No	Range (mm)	Resolution (mm)
MW275-01	0-25	0.01
MW275-02	25-50	0.01
MW275-03	50-75	0.01
MW275-04	75-100	0.01

Large Adjustable External Metric Micrometer 220 Series

Features

- Standard: DIN 863
- Features wide measuring range with interchangeable anvils
- Low weight tubular frame with insulated grips
- Tungsten carbide measuring faces
- Hardened and ground spindles/anvils
- Satin-chrome scale
- Constant force ratchet on thimble
- Adjusting key
- Supplied with setting standards
- Supplied in wooden box



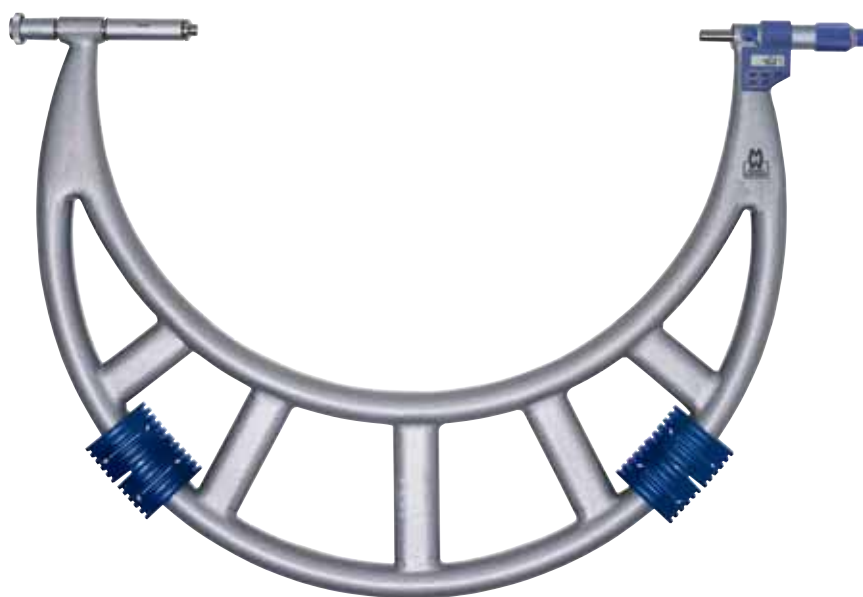
METRIC

Code No	Range (mm)	Resolution (mm)
MW220-01	300-400	0.01
MW220-02	400-500	0.01
MW220-03	500-600	0.01
MW220-04	600-700	0.01
MW220-05	700-800	0.01
MW220-06	800-900	0.01
MW220-07	900-1000	0.01
MW220-08	1000-1200	0.01
MW220-09	1200-1400	0.01

Large Adjustable External Digital Micrometer 220 Series

Features

- Standard: DIN 863
- Digital functions: tolerance indication, on/off, zero-setting, battery low indication
- Features wide measuring range with interchangeable anvils
- Low weight tubular frame with insulated grips
- Tungsten carbide measuring faces
- Hardened and ground spindles/anvils
- Satin-chrome scale
- Constant force ratchet on thimble
- Adjusting key
- Supplied with setting standards
- Supplied in wooden box



METRIC ONLY

Code No	Range (mm)	Resolution (mm)
MW220-01DDL	300-400	0.001
MW220-02DDL	400-500	0.001
MW220-03DDL	500-600	0.001
MW220-04DDL	600-700	0.001
MW220-05DDL	700-800	0.001
MW220-06DDL	800-900	0.001
MW220-07DDL	900-1000	0.001

Tube Micrometer 255 Series

Features

- Standard: DIN 863
- Spherical anvil for measuring tube wall thickness
- Tungsten carbide measuring faces on spindle
- Satin chrome scale
- Hammertone finished frame with insulated grip
- Constant force ratchet on thimble
- Supplied in case



METRIC

Code No	Range (mm)	Resolution (mm)	Accuracy (mm)	Dimn - A	Dimn - B
MW255-01	0-25	0.01	0.006	4.75	27.5

Digital Tube Micrometer 255-DDL Series

Features

- Standard: DIN 863
- Digital functions: mm/inch conversion, on/off, zero-setting, battery low indication, hold, 0...ABS
- Spherical anvil for measuring tube wall thickness
- Tungsten carbide measuring faces on spindle
- Chrome plated frame with high quality insulated grip
- Constant force ratchet on thimble
- Supplier with battery cover key
- Supplied in case
- IP54 rated



METRIC / IMPERIAL

Code No	Range (mm)	Range (inch)	Resolution (mm)	Resolution (inch)	Accuracy (mm)	Dimn - A	Dimn - B
MW255-01DDL	0-25	0-1	0.001	0.00005	0.003	27.5	4.75

Point Micrometer 270 Series

Features

- Standard: DIN 863
- Pointed spindle and anvil for measuring hard to reach places like the web thickness of drills, small grooves, keyways
- Tungsten carbide measuring faces
- Hammertone finished frame with high quality insulated grip
- Tapered for easier access to difficult areas
- Constant force ratchet on thimble
- Locking lever
- Adjusting key
- Supplied with settings standard
- Supplied in case



METRIC

Code No	Range (mm)	Resolution (mm)	Accuracy (mm)	Point Angle
MW270-01	0-25	0.01	0.004	15°
MW270-02	25-50	0.01	0.004	15°
MW270-03	50-75	0.01	0.005	15°
MW270-04	75-100	0.01	0.005	15°
MW270-05	0-25	0.01	0.004	30°
MW270-06	25-50	0.01	0.004	30°
MW270-07	50-75	0.01	0.005	30°
MW270-08	75-100	0.01	0.005	30°

Workshop Digital Point Micrometer 270 Series

Features

- Standard: DIN 863
- Large LCD display
- Digital functions: mm/inch conversion, ABS/INC, on/off, zero-setting, battery low indication
- Pointed spindle and anvil for measuring hard to reach places like the web thickness of drills, small grooves, keyways
- Tungsten carbide measuring faces
- Hammertone finished frame with high quality insulated grip
- Tapered for easier access to difficult areas
- Constant force ratchet on thimble
- Locking lever
- Adjusting key
- Supplied with settings standard
- Supplied in case



METRIC / IMPERIAL

Code No	Range (mm)	Range (inch)	Resolution (mm)	Resolution (inch)	Accuracy (mm)	Point Angle
MW270-01DDL	0-25	0-1	0.001	0.00005	0.004	30°
MW270-02DDL	25-50	1-2	0.001	0.00005	0.004	30°
MW270-03DDL	50-75	2-3	0.001	0.00005	0.005	30°
MW270-04DDL	75-100	3-4	0.001	0.00005	0.005	30°

Caliper Type Inside Micrometer 280 Series

Features

- Standard: DIN 863
- Measuring the inside of a bore or hole
- Pin diameter 2mm, length 5mm (only applicable to MW280-01)
- Satin chrome finished frame
- Constant force ratchet thimble
- Locking clamp for positive locking of spindle
- Adjusting key
- Supplied in case



MW280-01



MW280-04

CALIPER TYPE INSIDE MICROMETER

Code No	Range (mm)	Resolution (mm)	Accuracy (mm)	Setting Rings
MW280-01	5-30	0.01	0.005	Yes
MW280-02	25-50	0.01	0.005	Yes
MW280-03	50-75	0.01	0.005	No
MW280-04	75-100	0.01	0.005	No
MW280-05	100-125	0.01	0.005	No
MW280-06	125-150	0.01	0.005	No
MW280-07	150-175	0.01	0.005	No
MW280-08	175-200	0.01	0.005	No

Digital Inside Micrometer 280-DDL Series

Features

- Standard: DIN 863
- Digital functions: mm/inch conversion, on/off, zero-setting, battery low indication, hold, 0...ABS
- Measuring the inside of a bore or hole
- Pin diameter 2mm, length 5mm (only applicable to MW280-01DDL)
- Satin chrome finished frame
- Constant force ratchet thimble
- Locking clamp for positive locking of spindle
- Supplied in case



MW280-01DDL



MW280-05DDL

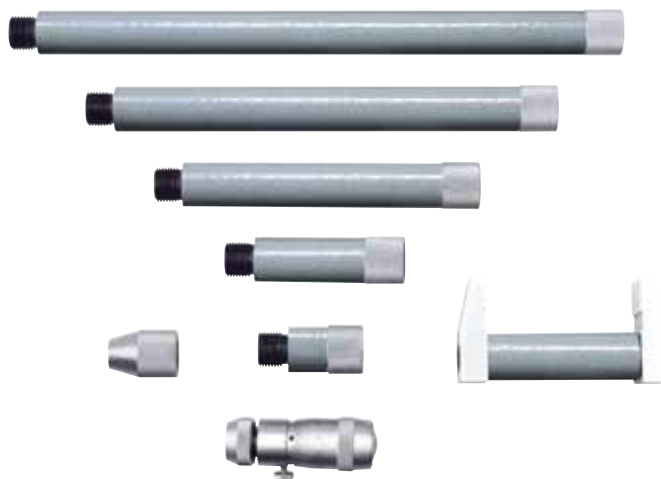
DIGITAL CALIPER TYPE INSIDE MICROMETER

Code No	Range (mm)	Range (inch)	Resolution (mm)	Resolution (inch)	Accuracy (mm)	Setting Rings
MW280-01DDL	5-30	0.2-1.2	0.001	0.00005	0.003	Yes
MW280-02DDL	25-50	1-2	0.001	0.00005	0.003	Yes
MW280-03DDL	50-75	2-3	0.001	0.00005	0.004	No
MW280-04DDL	75-100	3-4	0.001	0.00005	0.004	No
MW280-05DDL	100-125	4-5	0.001	0.00005	0.005	No
MW280-06DDL	125-150	5-6	0.001	0.00005	0.005	No

Tubular Internal Micrometer 300 Series

Features

- Standard: DIN 863
- Ideal for large diameters
- Tungsten carbide measuring faces
- All measuring faces are micro-lapped
- Satin-chromed scale and body with lock screw
- Supplied with setting piece
- Supplied in a wooden box



Assembled Micrometer

METRIC

Code No	Range (mm)	Resolution (mm)
MW300-01	50-250	0.01
MW300-02	50-600	0.01
MW300-04	150-2000	0.01

Traditional Internal Micrometers 900 Series

Each model comprises a measuring head, a set of extension rods and a spacing collar to facilitate alternative measuring ranges. The smaller models (901, 902 & 903) have detachable extension handles.

All models supplied in a fitted case.

Features

- Complies with: BS959



METRIC

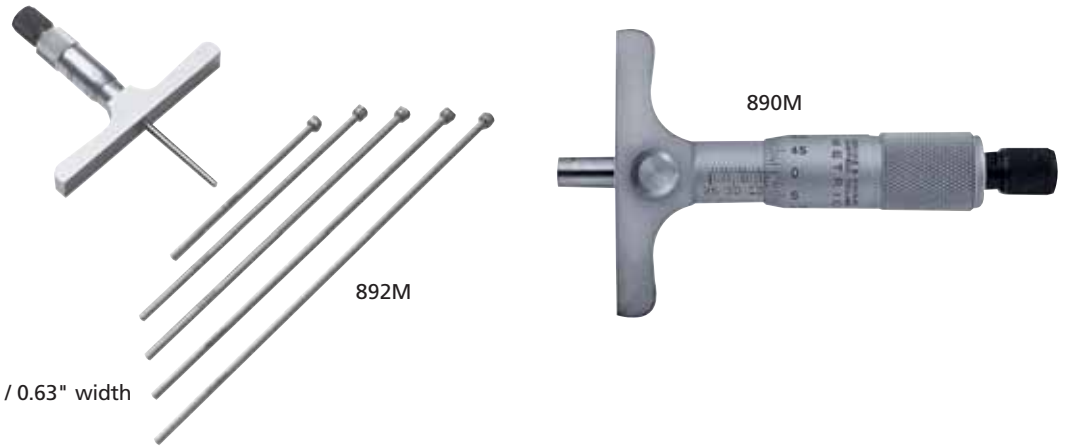
Code No	Range (mm)	Accuracy (mm)	Head Range (mm)
901M	25-55	0.003	5
902M	50-210	0.003	10
903M	50-310	0.003	10
908M825	200-825		25

IMPERIAL

Code No	Range (inch)	Accuracy (inch)	Head Range (inch)
901	1-2	0.0001	0.25
902	2-8	0.0001	0.50
903	2-12	0.0001	0.50

Traditional Depth Micrometer

Complies with BS6468:1984



890 Series:

- Fixed depth rod, 6.5mm diameter
- 63.5mm / 2 1/2" base length 16mm / 0.63" width
- 'Speeder' type ratchet
- Lock screw

891 Series:

- Interchangeable depth rods, 4.5mm diameter
- 63.5mm / 2 1/2" base length, 16mm / 0.63" width

892 Series:

- As 891 Series except for: 100mm / 4" base length

METRIC

Code No	Range (mm)
890M	0-25
891M75	0-75
891M150	0-150
891M300	0-300
892M75	0-75
892M150	0-150
892M300	0-300

IMPERIAL

Code No	Range (inch)
890	0-1
8913	0-3
8916	0-6
89112	0-12
8923	0-3
8926	0-6
89212	0-12

Digital Depth Micrometer 305-DDL Series

Features

- Standard: DIN 863
- Digital functions: mm / inch conversion, set, on/off, zero-setting, battery low indication, hold, 0...ABS
- Interchangeable rods (spherical ends)
- Rods are hardened and spherically lapped
- Satin chrome finished base
- Constant force ratchet on thimble



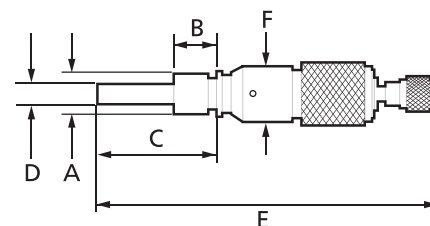
METRIC / IMPERIAL

Code No	Range (mm)	Range (inch)	Resolution (mm)	Resolution (inch)	Accuracy (mm)	Size of Base (mm)
MW305-00DDL	0-25	0-1	0.001	0.00005	0.004	100
MW305-01DDL	0-50	0-2	0.001	0.00005	0.004	100
MW305-02DDL	0-100	0-4	0.001	0.00005	0.005	100
MW305-03DDL	0-150	0-6	0.001	0.00005	0.006	100
MW305-04DDL	0-200	0-8	0.001	0.00005	0.007	100
MW305-05DDL	0-300	0-12	0.001	0.00005	0.009	100

Extra Small Micrometer Head 310 Series

Features

- Universal micrometer head for incorporating into machines or other purposes
- Satin chrome finished body
- Laser engraved graduations



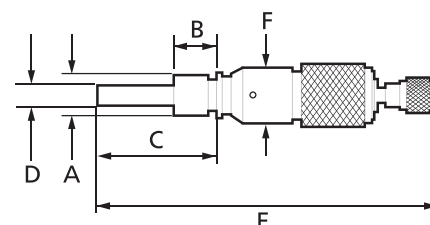
METRIC

Code No	Range (mm)	Note	Resolution (mm)	Dimn - A	Dimn - B	Dimn - C	Dimn - D	Dimn - E	Dimn - F
MW310-05	0-5	Measuring Face - Flat	0.01	3.5	5.00	12.00	2.00	32.00	6.00
MW310-05R	0-5	Measuring Face - Spherical	0.01	3.5	5.00	12.00	2.00	32.00	6.00

Small Micrometer Head 310 Series

Features

- Universal small micrometer head for incorporating into machines or other purposes, easy to read due to large thimble
- Satin chrome finished body
- Laser engraved graduations



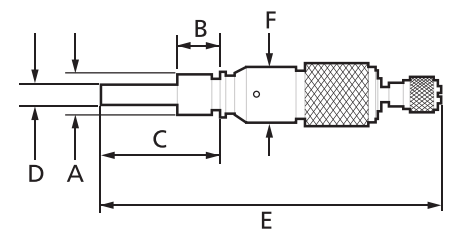
METRIC

Code No	Range (mm)	Note	Resolution (mm)	Dimn - A	Dimn - B	Dimn - C	Dimn - D	Dimn - E	Dimn - F
MW310-06	0-6.5	Flat Anvils	0.01	6.00	8.00	15.00	3.50	37.00	10.00
MW310-06R	0-6.5	Spherical Anvils	0.01	6.00	8.00	15.00	3.50	37.00	10.00

Small Micrometer Head 310 Series

Features

- Spindle diameter 5mm
- Universal small micrometer head for X-Y stages or other purposes
- Satin-chrome finished body
- Laser engraved graduations



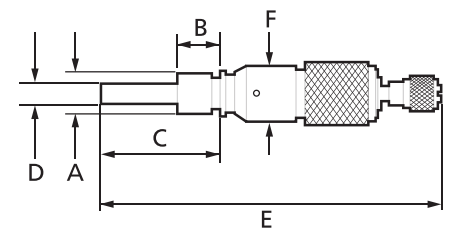
METRIC

Code No	Range (mm)	Note	Resolution (mm)	Dimn - A	Dimn - B	Dimn - C	Dimn - D	Dimn - E	Dimn - F
MW310-13	0-13	Measuring Face - Flat	0.01	9.50	10.50	24.00	5.00	59.00	13.50

Small Micrometer Head 310 Series

Features

- Standard: Factory Standard
- Spindle diameter 5mm
- Universal micrometer head for X-Y stages or other purposes
- Satin-chrome finished body
- Laser engraved graduations



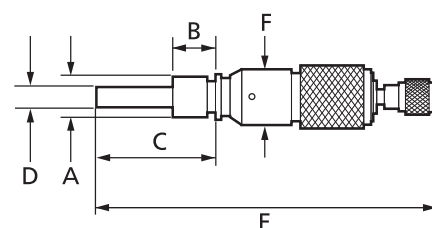
METRIC

Code No	Range (mm)	Note	Resolution (mm)	Dimn - A	Dimn - B	Dimn - C	Dimn - D	Dimn - E	Dimn - F
MW310-15	0-15	Spherical anvil	0.01	9.50	9.50	26.00	5.00	61.00	13.50

Standard Micrometer Head 310 Series

Features

- Spindle diameter 6.5mm
- Universal micrometer head for X-Y stages or other purposes
- Satin-chrome finished body
- Laser engraved graduations
- With constant force ratchet



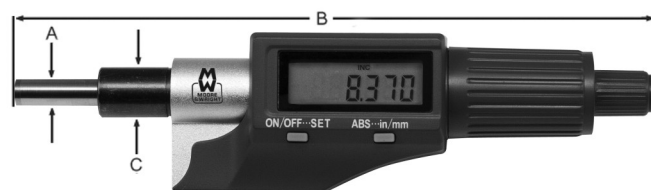
METRIC

Code No	Range (mm)	Note	Resolution (mm)	Dimn - A	Dimn - B	Dimn - C	Dimn - D	Dimn - E	Dimn - F
MW310-25	0-25	Flat anvil	0.01	12.00	16.00	46.00	6.50	115.00	18.00

Digital Micrometer Head 312 Series

Features

- Standard: DIN 862
- Functions: mm/inch conversion, ABS/INC, on/off, zero-setting
- Universal micrometer head for X-Y stages or other purposes
- Large LCD display
- Constant force ratchet on thimble



METRIC / IMPERIAL

Code No	Range (mm)	Range (inch)	Resolution (mm)	Resolution (inch)	Dimn - A	Dimn - B	Dimn - C
MW312-25D	0-25	1	0.001	0.00005	6.5	150	12.0

Micrometer Stand

Features

- Designed for micrometers up to 100mm
- Hammertone painted
- Angle adjustable



MICROMETER STAND

Code No	Description
MW279-01A	Stand for micrometers up to 100mm

Basic Micrometer Stand

Features

- Designed for micrometers up to 100mm
- Clamp opening 5-15mm
- Hammertone painted cast iron base



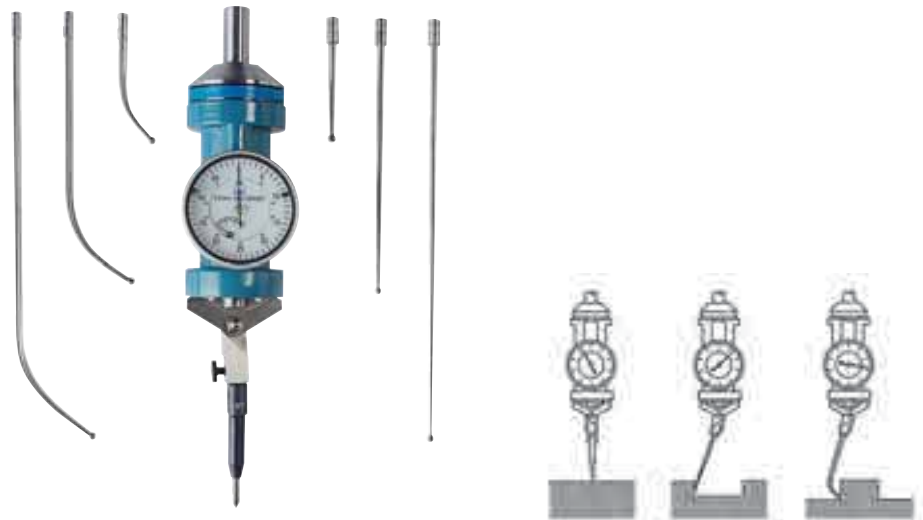
BASIC MICROMETER STAND

Code No	Description
MW279-02	Folding stand for micrometers up to 100mm

Universal Centre Finder with Indicator

Features

- Universal equipment for finding the centre of a bore or to measure the concentricity of work pieces
- Indicator always faces operator, also when spindle runs
- With double indicator for maximum accuracy
- For vertical and horizontal use
- Includes 6 touch points for internal and external measurement



UNIVERSAL CENTRE FINDER

Code No	Description	Range - Internal (mm)	Range - External (mm)	Concentricity	Accuracy (mm)	Indicator Range (mm)
MW612-01	Centre finder	3.5-300	0-300	0.005mm	0.01	0-3

Dial / Digital Bore Gauge Sets 316 Series

Features

- With interchangeable contact points
- Set of carbide tipped contact points included
- Unique self centring device
- Supplied with dial indicator, resolution 0.01mm
- Packed as set with all necessary accessories to measure the complete range as shown

Digital Bore Gauge Sets

- Supplied with digital indicator with bar graph and numerical display



DIAL BORE GAUGE SETS

Code No	Range (mm)	Resolution (mm)
MW316-01	6-10	0.01
MW316-02	10-18	0.01
MW316-03	18-35	0.01
MW316-04	35-50	0.01
MW316-05	50-160	0.01
MW316-06	160-250	0.01

DIAL BORE GAUGE SETS

Code No	Range (mm)	Resolution (mm)	Resolution (inch)	Measuring Depth (mm)	Measuring Depth (inch)
MW316-12D	35-160	0.001	0.0005	150	6

Dial Test Indicator 420 Series

Features

- Standard: ANSI B89.1.10, DIN2270
- Automatic reversal of measuring direction
- High precision fully jewelled bearings
- Rotating dial
- Two dovetail clamps
- Carbide points
- Styli length: 12mm / 1/2", M1.4 thread



METRIC

Code No	Range (mm)	Graduation (mm)	Dial Reading	Dial Diameter (mm)	Accuracy (mm)
MW420-03	0.8	0.01	0-40-0	25	0.013
MW420-04	0.8	0.01	0-40-0	37	0.013

IMPERIAL

Code No	Range (inch)	Graduation (inch)	Dial Reading	Dial Diameter (inch)	Accuracy (inch)
MW420-03I	0.030	0.0005	0-15-0	1	0.0005
MW420-04I	0.030	0.0005	0-15-0	1 1/2	0.0005

Dial Test Indicator Accessories



Universal Holder



Contact Points



Dovetail Stem

DIAL TEST INDICATOR ACCESSORIES

Code No	Description	Code No	Description
MW-Z40010	Universal Holder	MW-Z40016	Contact point 1/2" length, 0.040" steel ball
MW-Z40012	Contact point 12mm length, 1mm steel ball	MW-Z40018	Contact point 1/2" length, 0.120" carbide ball
MW-Z40013	Contact point 12mm length, 2mm carbide ball	MW-Z40020	Dovetail stem 4mm clamping diameter
MW-Z40014	Contact point 12mm length, 3mm carbide ball	MW-Z40022	Dovetail stem 8mm clamping diameter

Dial Indicator 400 Series

MW400-02



MW400-03



MW400-04



MW400-05



MW400-06



MW400-06B



MW400-08



MW400-09



DIP223M



Features

- Standard: DIN 878
- Satin-chromed body
- With tungsten carbide contact point
- With double dial indicator for measuring mm stroke
- Shockproof
- Micron versions are jewelled
- Adjustable bezel with stop screw
- Packed in foam box

SPECIFICATIONS

Code No	Range (mm)	Resolution (mm)	Accuracy (mm)	Dial Diameter	Description
MW400-01	0-1.0	0.001	±0.004	58mm	Flat back
MW400-02	0-1.0	0.001	±0.004	58mm	Lug back
MW400-03	0-3.0	0.01	±0.012	42mm	Lug back and flat back
MW400-04	0-5.0	0.01	±0.014	42mm	Lug back
MW400-05	0-10.0	0.01	±0.016	58mm	Flat back
MW400-06	0-10.0	0.01	±0.016	58mm	Lug back
MW400-06B	0-10.0	0.01	±0.02	54mm	Waterproof
MW400-08	0-30.0	0.01	±0.035	58mm	Lug back
MW400-09	0-50.0	0.01	±0.04	58mm	Lug back

DIP223M SPECIFICATIONS

Code No	Range	Graduation	One Revolution of Pointer	Scale Reading	Bezel Diameter	Stem Diameter	Lug Back No.
DIP223M†	10	0.01	1mm	0-100	58mm	8mm h6	DIS848X

* Waterproof †Shockproof

Dial Indicator 401 Series

Features

- Standard: ANSI B89.1.10
- Aluminium body
- With tungsten carbide contact point
- Adjustable bezel with stop screw
- Tolerance indicators
- Lug back (flat back is optional)



MW401-01



MW401-02



MW401-05

SPECIFICATIONS

Code No	Range (mm)	Range (inch)	Resolution (mm)	Resolution (inch)	Accuracy (mm)	Bezel Diameter	Stem Diameter	Description
MW401-01	-	0-0.5	-	0.001	±0.02	58mm	3/8"	Lug back
MW401-02	-	0-1.0	-	0.001	±0.035	58mm	3/8"	Lug back
MW401-05	0-25.0	-	0.01	-	±0.035	60mm	8mm	Lug back

Digital Indicator 405 Series

Features

- Digital functions: Direct mm / inch conversion, ABS/ INC, zero-setting
- 58mm dial face
- Lugback and 8mm stem mountings
- Also supplied with flatback



SPECIFICATIONS

Code No	Range (mm)	Range (inch)	Resolution (mm)	Resolution (inch)	Accuracy (mm)	Accuracy (inch)
MW405-04DB	0-12.7	0-0.5	0.01	0.0005	±0.02	±0.0008
MW405-06DB	0-25.0	0-1.0	0.01	0.0005	±0.03	±0.0012

Digital Indicator 410 Series

Features

- Functions: mm/inch conversion, Min/Max, ABS/INC, Preset, Tolerance
- 8mm/H7 clamping diameter
- Resolution 0.001mm / 0.00005"
- Floating Zero
- Analogue Display



METRIC / IMPERIAL

Code No	Range (mm)	Range (inch)	Accuracy (mm)	Accuracy (inch)
MW410-02DF	0-12.7	0-0.5	0.008	0.0003

Digital Indicator 415 Series

Features

- Large LCD display
- Resolution 0.001mm / 0.00005"
- 8mm stem mounting
- Functions: mm/inch conversion, ABS/INC, Preset
- Floating zero



METRIC / IMPERIAL

Code No	Range (mm)	Range (inch)	Accuracy (mm)	Accuracy (inch)
MW415-01	0-12.5.0	0-0.5	0.004	0.00015
MW415-02	0-25.0	0-1	0.005	0.0002
MW415-03	0-30.0	0-1.2	0.005	0.0002
MW415-04	0-50.0	0-2	0.006	0.00025

Digital Absolute Indicator 430-DABS Series

Features

- Absolute Measuring System
- USB Data Output
- Functions: tolerances, mm/inch conversion, preset capability, data-output, zero-setting, on/off
- 8mm/H7 clamping diameter
- IP54 protection
- CR2032 battery
- Supplied with lugback and flat back



SPECIFICATIONS

Code No	Range (mm)	Range (inch)	Resolution (mm)	Resolution (inch)	Accuracy (mm)	Accuracy (inch)
MW430-01DABS	0-12.5	0-0.5	0.001	0.00005	±0.004	±0.0002
MW430-02DABS	0-25.4	0-1.0	0.001	0.00005	±0.005	±0.00025
MW430-03DABS	0-50.8	0-2.0	0.001	0.00005	±0.006	±0.0003

DATA CABLE

Code No	Description
MW-Y100/700USB	Data Cable-USB to suit all DABS products

Pocket & Lifting Thickness Gauges 455 Series

Features

- For quick measurement of thickness
- Dial indicator for accurate value reading
- Parallelism of the measuring surfaces 0.004mm



MW455-15 Pocket Thickness Gauge



MW455-25

POCKET & LIFTING

Code No	Range (mm)	Note	Resolution (mm)
MW455-15	0-10	Throat Depth - 0-10mm	0.01
MW455-25	0-10	Throat Depth - 0-30mm	0.01
MW455-35	0-10	Throat Depth - 0-120mm	0.01

Lifting Type Digital Thickness Gauge 455 Series

Features

- For quick measurement of thickness
- Modern design
- Functions: mm/inch conversion, on/off, zero-setting, battery low indication
- Parallelism of the measuring surfaces <math><0.004\text{mm}</math>



SPECIFICATIONS

Code No	Range (mm)	Accuracy (mm)	Resolution (mm)	Note
MW455-15D	0-10	0.04	0.01	Throat Depth - 0-30mm
MW455-25D	0-10	0.04	0.01	Throat Depth - 0-120mm

Magnetic Indicator Stand 470 Series

Features

- Basic type, without fine adjustment, can be used with indicators with or without lug back
- With powerful on/off magnetic base
- Magnetic force 80Kg / 175 LBS
- Accepts dial test indicators, digital indicators and normal indicators
- Extra rigid



SPECIFICATIONS

Code No	Description
MW470-01	Without fine adjustment

Magnetic Indicator Stand 475 Series

Features

- Basic type, with fine adjustment, can be used with indicators with or without lug back
- With powerful on / off magnetic base
- Magnetic force 80Kg / 175lbs
- Accepts dial test indicators, digital indicators and normal indicators
- Extra rigid



SPECIFICATIONS

Code No	Description
MW475-01	With fine adjustment

Flexible Magnetic Base 496 Series

Features

- Corrosion resistant chrome plated flex arm
- Magnetic force 40kg / 85lbs
- Holds rigidly in almost any position
- V -base for mounting on rounded surfaces



SPECIFICATIONS

Code No	Description
MW496-01	Mechanically locking flexible arm

Hydraulic Magnetic Base 485 Series

Features

- Features a unique hydraulic central lock for all arms and swivel positions
- Super solid model
- With fine adjustment
- With powerful on/off magnetic base
- Magnetic force 80Kg / 175lbs
- Universal model which can be used for indicators with or without lug on back plate
- Accepts dial test indicators, digital indicators and normal indicators
- Dovetail groove for clamping a dial test indicator
- Super rigid



SPECIFICATIONS

Code No	Description
MW485-01	Universal arm with single hydraulic locking knob

Articulating Magnetic Base with Fine Adjustment 477 Series

Features

- Versatile magnetic base that can be adjusted in almost unlimited ways
- With fine adjustment
- 30kg clamp force
- V -base for mounting on rounded surfaces



SPECIFICATIONS

Code No	Description
MW477-01	Articulating arm with fine adjustment

Mini Magnetic Base 497 Series

Features

- 1 universal ball socket
- Microfine adjustment screw
- Dovetail mounting
- Chuck adapter



SPECIFICATIONS

Code No	Description
MW497-01	Mini mag base
MW497-SET1	Mini mag base with MW420-04 DTI

Magnetic Base and Indicator Set

Features

- Combined set for extra value
- Includes MW475-01 magnetic base with fine adjustment and MW400-06 0-10mm/0.01mm dial indicator



MAGNETIC BASE AND INDICATOR SET

Code No	Description
MW475-SET1	Magnetic base with MW400-06 dial indicator

Magnetic Base and Indicator Set

Features

- Combined set for extra value
- Includes MW475-01 magnetic base with fine adjustment and MW405-04DB 0-12.5mm/0.01mm digital indicator



MAGNETIC BASE AND INDICATOR SET

Code No	Description
MW475-SET2	Magnetic base with MW405-04DB digital indicator

Micrometer, Vernier Caliper and Engineers' Rule Set

Features

- Combined set for extra value
- Includes MW200-01, 0-25mm micrometer, MW110-15 Vernier caliper and ER106F 150mm / 6" rule



ENGINEERS' SET

Code No	Description
MW200-SET1	Micrometer, Vernier Caliper and Engineers' Rule Set

Micrometer, Dial Caliper and Engineers' Rule Set

Features

- Combined set for extra value
- Includes MW200-01, 0-25mm micrometer, MW141-15 dial caliper and ER106F 150mm / 6" rule



ENGINEERS' SET

Code No	Description
MW200-SET2	Micrometer, Dial Caliper and Engineers' Rule Set

Digital Workshop Engineers' Set

Features

- Combined set for extra value
- Includes MW200-01DBL Digital micrometer and MW110-15DBL Digital caliper



DIGITAL WORKSHOP ENGINEERS' SET

Code No	Description
MW200-SET3	Workshop Digital Micrometer and Caliper Set

Digital IP54 Engineers' Set

Features

- Combined set for extra value
- Includes MW201-01DAB Digital micrometer and MW110-15WR Digital caliper



DIGITAL IP54 ENGINEERS' SET

Code No	Description
MW200-SET4	IP54 Digital Micrometer and Caliper Set

Carpenters' Square

Features

- Steel base and ergonomic design for ease of use
- Allows positive location and clamping
- Offers fixed angles: 45°, 90°
- With mini carbide scriber and level vial
- Squareness within 0.2mm / 300mm
- in/mm ruler



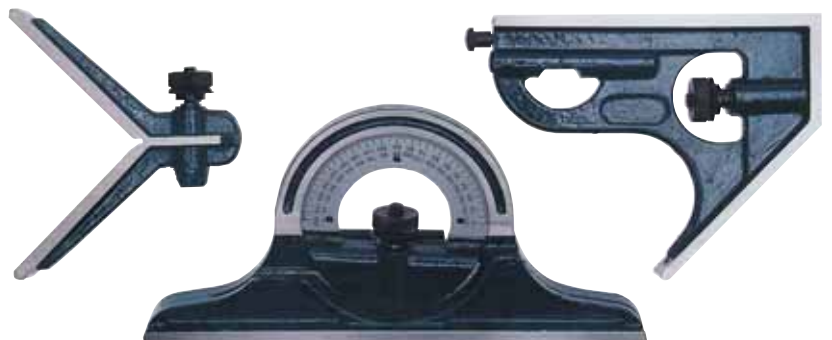
CARPENTERS' SQUARE

Code No	Length (mm)	Length (inch)	Graduation (mm)	Graduation (inch)
MW525-01	300	12	1.0	1/32

Basic Combination Set 520 Series

Features

- Three measuring heads are attached to the 300mm / 12" stainless steel ruler, allowing versatile measurements on various types of work pieces
- Square head, protractor head and centrehead
- For various measuring and marking applications
- Hardened and ground slide ways
- Stainless steel rule with engraved graduations



BASIC COMBINATION SET

Code No	Range	Note
MW520-01	180°	Items in set - 4

* Metric and inch scale rule

Workshop Combination Set 521 Series

Features

- Three measuring heads are attached to the 300mm / 12" stainless steel ruler, allowing versatile measurements on various types of work pieces
- Square head, protractor head and centre head
- For various measuring and marking applications
- Hardened and ground slide ways
- Stainless steel rule with engraved graduations; one side metric, one side imperial



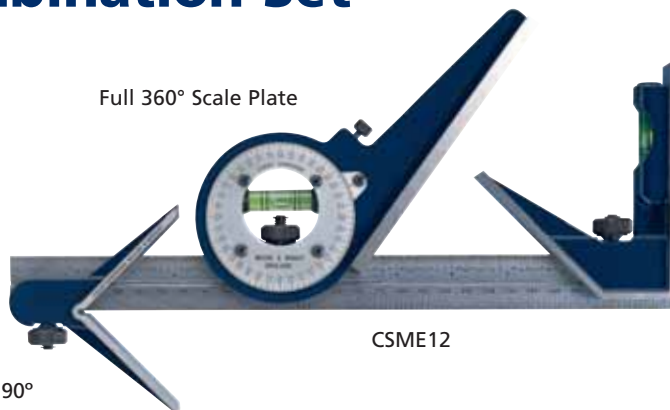
WORKSHOP COMBINATION SET

Code No	Range	Description
MW521-01	180°	4 items in set

Traditional Precision Combination Set CSM300

Features

- Fully hardened and tempered precision rules with deeply etched graduations on both sides for ease of reading and long life
- Fully hardened and ground datum faces to resist wear
- Centrally mounted protractor vial allows unrestricted viewing
- Protractor has full 360° scale plate, graduated 0 - 180° - 0
- Satin chrome scale plate on protractor
- Unique rule clamp allows positive location and clamping
- Square head offers the following fixed angles: 15°, 30°, 45°, 60°, 75° & 90°
- Centre head offers a fixed 90° angle, for finding the centre of round bar stock up to 120mm diameter
- Clipped corner on rule to maximise capability
- Still made the Sheffield way



METRIC PRECISION COMBINATION SETS & RULES

Code No	Application Range	Description
CSM300	Precision Combination Set	Full set including 300mm rule (graduated both sides), Protractor head, Square head and Centre head
CSRM300	Rule, 300mm	mm and 0.5mm on both sides; numbered every 10mm
CSRM600	Rule, 600mm	mm and 0.5mm on both sides; numbered every 10mm

METRIC / IMPERIAL PRECISION COMBINATION SETS & RULES

Code No	Application Range	Description
CSME12	Precision Combination Set	Full set inc. 300mm / 12" rule, Protractor head, Square head & Centre head
CSRME12	Rule, 300mm / 12"	Metric graduations: in 0.5mm, numbered every 10mm. Imperial graduations: 32nds and 64ths numbered every 1/8"
CSRME24	Rule, 600mm / 24"	Metric graduations: in 0.5mm, numbered every 10mm. Imperial graduations: 32nds and 64ths numbered every 1/8"

REPLACEMENT COMPONENTS (TO SUIT CSM300 & CSME12)

Code No	Description
CSPRO	Protractor head
CSSH	Square head
CSCH	Centre head
RPCSCS-S	Replacement rule clamp screw



CSRME12



Universal Bevel Protractor

Features

- Made of high quality hardened and ground stainless steel
- High precision satin chromed scale
- Minimum reading 5 minutes
- Magnifying glass for easy reading
- With fine adjustment and acute angle attachment
- 300mm / 12" and 150mm / 6" rule
- Packed as set in plastic box



UNIVERSAL BEVEL PROTRACTOR SET

Code No	Range
MW500-01	360°

Dial Bevel Protractor

Features

- Features high quality indicator
- Made of high quality hardened and ground stainless steel
- High precision satin chromed scale
- Minimum reading 5 minutes
- With fine adjustment and acute angle attachment
- 300mm / 12" rule and 150mm / 6" rule
- Packed as set in plastic box



BEVEL PROTRACTOR WITH DIAL

Code No	Range
MW510-01	360°

Digital Universal Bevel Protractor

Features

- 360° measuring range (4 x 90°)
- Manufactured from stainless steel
- Displays in deg/min/sec and decimal
- Resolution 30°
- Fine adjustment
- Battery CR2032
- Supplied with 150mm, 200mm and 300mm blades
- Supplied with acute angle attachment
- Accuracy +/- 5'



DIGITAL PROTRACTOR

Code No	Range
MW500-01D	360°

Digital Protractor

Features

- Large LCD display
- Strong magnets on all blade edges
- Easy-to-use and strong lock device
- Hold function
- Reversible reading



DIGITAL PROTRACTOR

Code No	Accuracy °	Range	Size	Resolution
MW505-01	±0.2	360°	100mm / 4"	0.05°
MW505-02	±0.2	360°	200mm / 8"	0.05°
MW505-03	±0.2	360°	300mm / 12"	0.05°

Digital Angle Rule

Features

- Large LCD display
- Easy-to-use and strong lock device
- Inside and outside angle measuring
- Functions: Hold function, on/off, zero-setting
- Reversible reading
- Stainless steel rule blades with mm scale



DIGITAL ANGLE RULE

Code No	Range (mm)	Resolution
MW506-01	200	0.05°
MW506-02	300	0.05°

Protractor With Rule 946 Series

Features

- Made of tool steel
- Satin chromed laser engraved scale
- Robust and durable design



METRIC ANGLE METER READINGS

Code No	Length (mm)	Diameter of Scale (mm)
MW946-01	120	80
MW946-02	150	120
MW946-03	200	150
MW946-04	300	200

Traditional Depth Gauge

Depth Gauge:

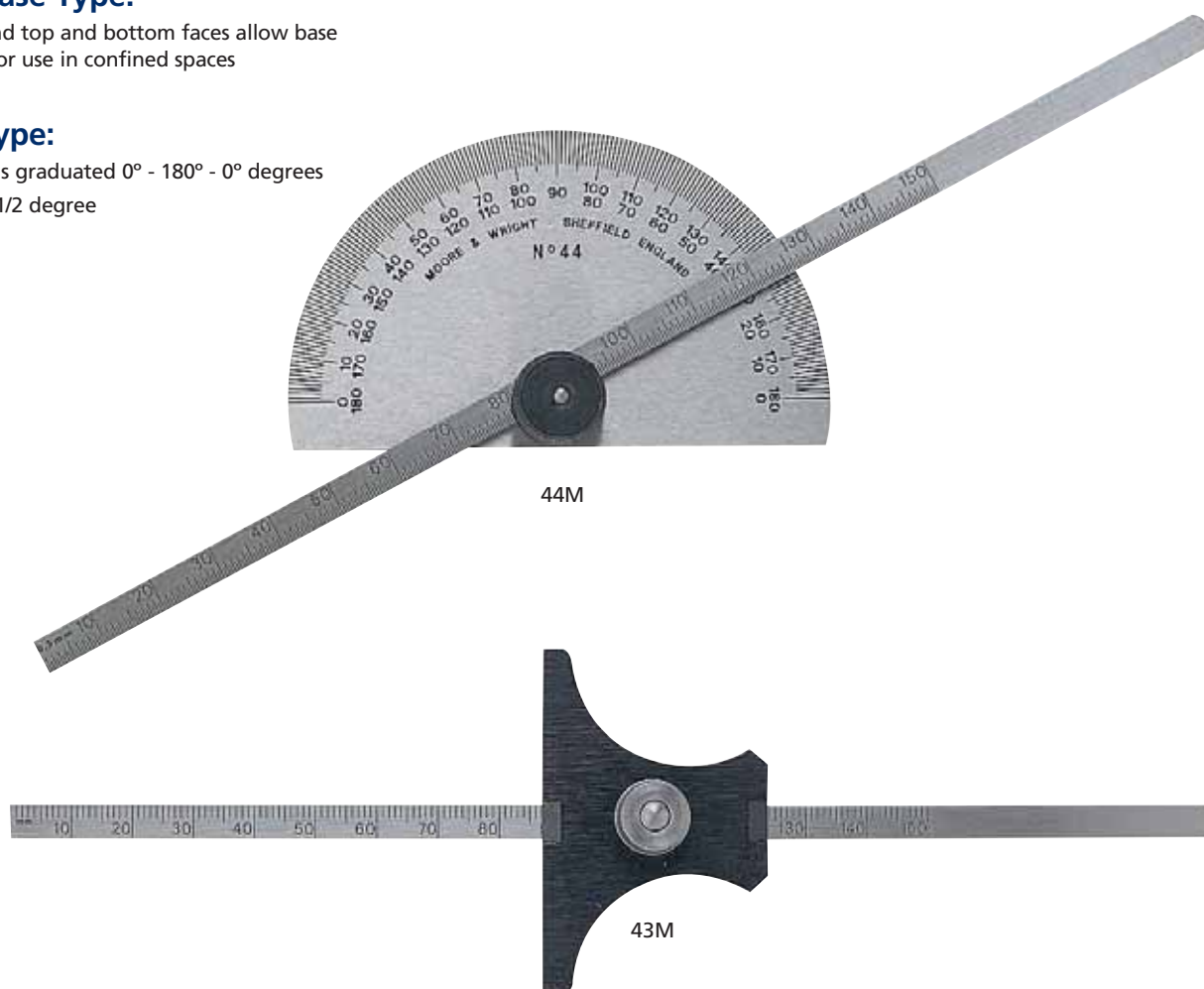
- Available with either reversible base or protractor
- Full range rule adjustment
- Readings can be fixed by means of a locknut
- Rules graduated on both sides
- Metric scales front face graduations 0.5mm, 1.0mm
- Metric scales rear face graduations 1.0mm
- Metric / Imperial scales front face graduations 1/32nd
- Metric / Imperial scales rear face graduations 1.0mm
- Length of blade 195mm / 7.68"

Reversible Base Type:

- Accurately ground top and bottom faces allow base to be reversed, for use in confined spaces

Protractor Type:

- Protractor plate is graduated 0° - 180° - 0° degrees
- Scale resolution 1/2 degree



METRIC DEPTH GAUGE 0-150MM

Code No	Description	Width (mm)	Thickness	Size of Base
43M	Reversible Base	5.5	1.0mm	18mm, 56mm
44M	Protractor	5.5	1.0mm	79mm

METRIC / IMPERIAL DEPTH GAUGE 0-150MM / 0-6"

Code No	Description	Width (mm)	Width (inch)	Thickness	Size of Base
43	Reversible Base	5.5	0.22	1.0mm / 0.04"	18mm, 56mm, 0.71", 2.21"
44	Protractor	5.5	0.22	1.0mm / 0.04"	79mm / 3.11"

Traditional Engineers' Level

Features

- Main vial sensitivity of 1 minute
- Each level is fitted with a main, cross and plumb vial
- Main vial protected by rotating shroud
- Vial solution maintains colour and fluidity under all workshop conditions
- Precision ground cast base with vee groove for location on cylindrical work



METRIC / IMPERIAL ENGINEERS' LEVEL

Code No	Length (mm)	Length (inch)	Width (mm)	Width (inch)	Height (mm)	Height (inch)	Resolution (mm)	Resolution (inch)
ELS	165	6.5	34	1.34	46	1.81	0.3mm per metre	0.0035" per foot

Traditional Engineers' Level

Features

- Main vial sensitivity of 1 minute
- Each level is fitted with a main, cross and plumb vial
- Main vial protected by rotating shroud
- Vial solution maintains colour and fluidity under all workshop conditions
- Precision ground cast base with vee groove for location on cylindrical work



METRIC / IMPERIAL ENGINEERS' LEVEL

Code No	Length (mm)	Length (inch)	Width (mm)	Width (inch)	Height (mm)	Height (inch)	Resolution (mm)	Resolution (inch)
ELM	310	12	36	1.42	58	2.28	0.3mm per metre	0.0035" per foot

Retail Packed Products

Features

- Ultra compact dimensions and a single vial
- Machined from a solid block of carbon steel
- Supplied on retail card



RETAIL PACKED RANGE

Code No	Description
ELT001XR	Mini Level

Engineers' Level 550 Series

Features

- With four ground measuring faces
- Features zero-point adjustment
- With V-slot on base
- Made of cast iron, solid and rigid construction
- With sub-level tube



ENGINEERS' LEVEL

Code No	Size of Base (mm)	Sensitivity (mm/m)
MW550-03	200	0.02

Digital Mini-Mag Level 570 Series

Features

- Measuring range 360° (4 x 90°)
- Embedded magnets on two sides
- Standard 9V battery
- Dimensions: L60mm x H60mm x W35mm



DIGITAL MINI-MAG LEVEL

Code No	Description	Accuracy °	Resolution
MW570-01	Mini-Mag Level	±0.2	0.05°

Digital Level 580 Series

Features

- Precision inclinometer sensor
- CNC machined super flat edge
- Heavy duty aluminium alloy body, chrome finish
- Laser accurately extends level capabilities
- Strong magnets on underside
- Measuring: 4x90°
- Battery: standard 9V



DIGITAL LEVEL

Code No	Accuracy °	Size	Resolution
MW580-01	±0.2	150mm / 6"	0.05°
MW580-02	±0.2	225mm / 9"	0.05°
MW580-03	±0.2	600mm / 24"	0.05°

Steel Gauge Blocks 700 Series

Features

- Made from high quality stress relieved alloy steel
- Hardened to HV820 (HRC65)
- Excellent rigidity
- Size and serial number are engraved on each individual gauge block
- Available in 2 grades
 - Grade 1 for Inspection
 - Grade 2 for Workshop
- All sets have a MOORE & WRIGHT certificate
- All sets can be issued with a UKAS certificate at extra cost



BLOCK SET CONFIGURATION

No. blocks	Nominal size	Qty	Step (mm)	No. blocks	Nominal size	Qty	Step (mm)	No. blocks	Nominal size	Qty	Step (mm)	No. blocks	Nominal size	Qty	Step (mm)
103	1.005	1		87	1.001-1.009	9	0.001	47	1.005	1		32	1.005	1	
	1.01-1.49	49	0.01		1.01-1.49	49	0.01		1.01-1.09	9	0.01		1.01-1.09	9	0.01
	0.50-24.50	49	0.5		0.50-9.50	19	0.5		1.10-1.90	9	0.1		1.10-1.90	9	0.1
	25.0-100.0	4	25		10.0-100.0	10	10		1.0-24.0	24	1		1.0-9.0	9	1
									25.0-100.0	4	25		10.0-30.0	3	10
													60.0	1	

GAUGE BLOCK SETS

Code No	No. of Blocks	Description
MW700-02	103	Grade 1
MW700-03	103	Grade 2
MW700-05	87	Grade 1
MW700-06	87	Grade 2
MW700-08	47	Grade 1
MW700-09	47	Grade 2
MW700-11	32	Grade 1
MW700-12	32	Grade 2

Mic-Check Gauge Block Set MW715 Series

Features

- Standard: DIN 861
- For the inspection of Metric Micrometers according to DIN 863
- Inspection Grade: Grade 0
- Nominal Gauge Sizes: 2.5, 5.1, 7.7, 10.3, 12.9, 15.0, 17.6, 20.2, 22.8, 25.0mm
- Optical Flat: 30mm diameter, 12.0mm thick
- Supplied with a stand to conveniently hold the slip gauges
- Can be used horizontally or vertically
- Supplied in a fitted case with a M&W Calibration certificate



MIC-CHECK M10 SET AND STAND

Code No	Description
MW715-01	10 Piece Mic-Check Gauge Block Set plus Optical Flat

Dial Bore Gauge Setting Master 720 Series

Features

- Bore Gauge Setting Master Kit for accurately setting any 2 point bore gauge up to 160mm in diameter to an accuracy of 0.01mm
- Setting master and 33 piece metric gauge block set supplied in plastic case

Setting Device

- Internal range 160mm
- Depth range 25mm
- Centraliser width 70mm
- Quick-release holder for fast adjustment

Gauge Block Set

- Accuracy to DIN 861, Grade2
- 33 piece metric steel set
- Supplied in a fitted case with a M&W Calibration certificate



CYLINDER BORE GAUGE SETTING MASTER KIT

Code No	Description
MW720-01	Bore Gauge Setting Master Kit

Traditional Angle Plates

Features

- Complies with: BS5535 Grade B
- Manufactured from close grained cast iron
- Heat stabilised to prevent distortion
- Machined to tolerance on all four edges and two faces (four faces on open end version)



METRIC / IMPERIAL ANGLE PLATES

Code No.	Description	Length (mm)	Length (inch)	Width (mm)	Width (inch)	Height (mm)	Height (inch)
E200	Webbed	100	3.94	60	2.36	80	3.15
E201	Webbed	131	5.15	86	3.38	106	4.17
E202	Webbed	160	6.30	100	3.94	125	4.92
E204	Webbed	200	7.87	125	4.92	160	6.30
E301	Open End	125	4.92	80	3.15	100	3.94
E302	Open End	160	6.30	100	3.94	125	4.92
E304	Open End	200	7.87	125	4.92	160	6.30

Traditional Vee Blocks & Clamps

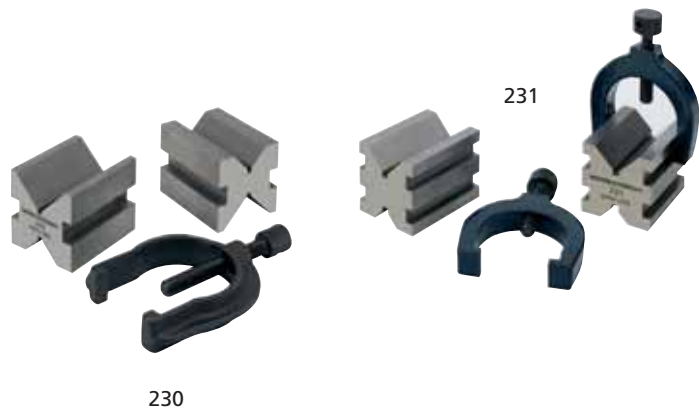
Features

230 General Workshop grade

- Manufactured from close grained cast iron
- Supplied in matched and numbered pairs
- One steel clamp and screw supplied per pair

231 Precision Vee Blocks

- Manufactured to BS3731 grade B
- Manufactured from case hardened and ground mild steel
- Supplied in matched pairs only
- Two malleable iron clamps with steel screws supplied with each pair of blocks



SPARE CLAMPS

Code No	Description
23001	Spare Clamp and Screw for 230
23101	Spare Clamp and Screw for 231

VEE BLOCKS & CLAMPS

Code No	Accuracy (mm)	Accuracy (inch)	Range (mm)	Range (inch)	Width (mm)	Width (inch)	Length (mm)	Length (inch)	Height (mm)	Height (inch)
230	0.05	0.020	40	1 1/2	40	1 1/2	50	2	40	1 1/2
231	0.01	0.004	25	1	32	1 1/4	42	1 5/8	32	1 1/4

Steel Pin Gauge Sets

Features

- Boxed sets complete with handle
- Each pin is laser engraved with its size above 1.5mm
- Each pin is stored in its own tube, marked with the pin size
- Pin length 50mm
- Supplied with a certificate of conformity
- Fully hardened to 60/62 HRC
- Manufacturing tolerance +/- .002mm



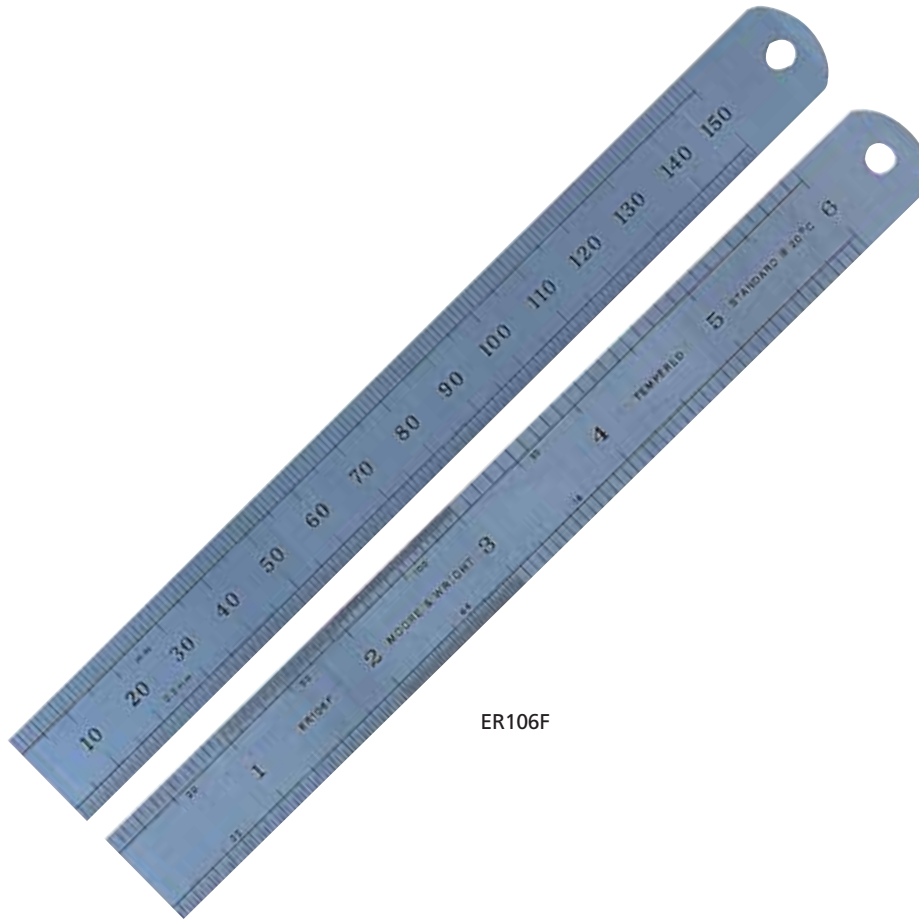
STEEL PIN GAUGE SETS

Code No	Description	Code No	Description	Code No	Description
MW725-01	Steel Pin Gauge Set 51pce 0.50-1.00x.01mm +/- 0.002mm C/W Handle	MW725-05	Steel Pin Gauge Set 100pce 4.01-5.00x.01mm +/- 0.002mm C/W Handle	MW725-09	Steel Pin Gauge Set 100pce 8.01-9.00x.01mm +/- 0.002mm C/W Handle
MW725-02	Steel Pin Gauge Set 100pce 1.01-2.00x.01mm +/- 0.002mm C/W Handle	MW725-06	Steel Pin Gauge Set 100pce 5.01-6.00x.01mm +/- 0.002mm C/W Handle	MW725-10	Steel Pin Gauge Set 100pce 9.01-10.00x.01mm +/- 0.002mm C/W Handle
MW725-03	Steel Pin Gauge Set 100pce 2.01-3.00x.01mm +/- 0.002mm C/W Handle	MW725-07	Steel Pin Gauge Set 100pce 6.01-7.00x.01mm +/- 0.002mm C/W Handle		
MW725-04	Steel Pin Gauge Set 100pce 3.01-4.00x.01mm +/- 0.002mm C/W Handle	MW725-08	Steel Pin Gauge Set 100pce 7.01-8.00x.01mm +/- 0.002mm C/W Handle		

Traditional Engineers' Rules

Features

- Made from fine quality steel which has been hardened and tempered to provide the ideal balance between flexibility and durability
- D shaped end with hanging hole
- Satin chrome anti-glare finish
- Permanent black high definition scale markings
- Metric scales front and rear face graduations 0.5mm, 1.0mm
- Metric / Imperial scales front face graduations 1/16th, 1/32nd, 1/64th 1/10th, 1/20th, 1/50th, 1/100th of an inch
- Metric / Imperial scales rear face graduations 0.5mm, 1.0mm



ER106F

METRIC SCALES ONLY: Two Sides, Four Edges

Code No	Length (mm)	Width (mm)	Thickness	Pack Quantity
ER306F	150	19	0.4mm	1
ER312	300	25	1.0mm	1

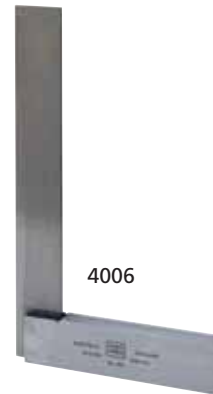
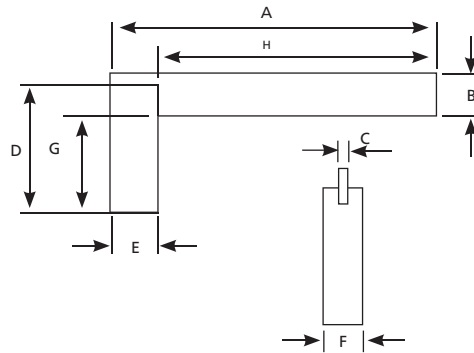
METRIC / IMPERIAL SCALES: Two Sides, Four Edges

Code No	Length (mm)	Length (inch)	Width (mm)	Thickness	Pack Quantity
ER106F	150	6	19.0	0.4mm	1
ER206F	150	6	12.5	0.4mm	1
ER112	300	12	25.0	1.0mm	1
ER212	300	12	12.5	1.0mm	1
ER424	600	24	25.0	1.0mm	1

Traditional Engineers' Square

Features

- Standard: To BS939 / Grade B
- Precision ground blade and stock
- Blind rivetted construction
- Hardened and tempered blades
- Supplied boxed



Product shown in use

DIMENSIONS TABLE (MM)

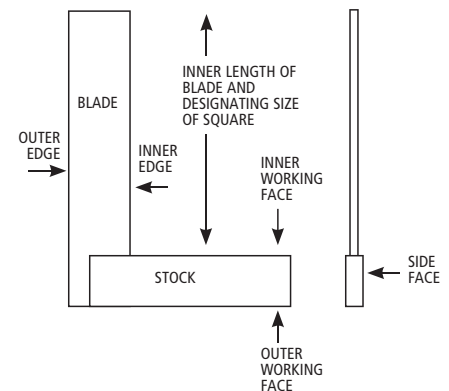
Square Size Faces	Blade		Stock				Inner Working	
	A	B	C	D	E	F	G	H
3" (75mm)	104.8	25.4	1.42	68.5	25.4	12.7	49.3	79.4
4" (100mm)	130.2	25.4	1.42	76.2	25.4	12.7	57.0	104.8
6" (150mm)	181.0	25.4	1.42	101.6	25.4	12.7	82.4	155.6
9" (225mm)	273.1	38.1	3.15	139.7	38.1	19.05	107.9	234.95
12" (300mm)	355.6	44.4	3.15	177.8	44.4	22.2	139.7	311.2

WORKSHOP SQUARE: Grade B

Code No	Blade Length (mm)	Blade Length (inch)	Approx. Stock Length (mm) (inside face)
4003	75	3	49
4004	100	4	56
4006	150	6	82
4009	225	9	108
40012	300	12	139

400 SERIES ENGINEERS SQUARES TOLERANCES (MICRONS)

	Size of Square				
	3" 75mm	4" 100mm	6" 150mm	9" 225mm	12" 300mm
Straightness of Blade Edges	8	8	8	8	12
Parallelism of Blade Edges	8	8	8	12	12
Flatness of Working Faces of Stock (any deviation must be concave)					
Parallelism of Working Faces of Stock	4	6	6	8	8
Parallelism of Side Faces of Stock	5	5	5	8	8
Parallelism of Side Faces of Stock	25	25	25	50	50
Squareness of Side Faces of Stock to Working Faces of Stock	57	57	75	114	134
Squareness of Edges of Blade to Side Faces of Stock	15	15	15	15	15
Squareness of Edges of Blade to Working Faces of Stock	16	16	16	16	24
Lateral Squareness of Blade	125	250	250	375	375



Precision Engineers' Bevelled Edge Square

Features

- Standard: DIN 875 Grade 0
- Made of heat treated steel
- Precision ground and micro-lapped
- 2 knife-form sides with angle of 40°



ENGINEERS' SQUARE

Code No	Description
MW910-01	40 x 30mm
MW910-02	50 x 40mm
MW910-03	75 x 50mm
MW910-04	100 x 70mm
MW910-05	150 x 100mm
MW910-06	200 x 130mm

Sliding 'T' Squares

Features

- Practical time saving tool for marking-out applications
- Suitable for use as a parallel or as a double square
- Working surfaces of the stock are ground
- The blade is hardened, tempered and has a satin chrome finish



METRIC SLIDING T SQUARES

Code No	Length (mm)	Graduation (mm)	Stock Length (mm)
DS71041	100	1, 0.5	62
DS71051	150	1, 0.5	62

METRIC / IMPERIAL SLIDING T SQUARES

Code No	Length (mm)	Length (inch)	Graduation (mm)	Graduation (inch)	Stock Length (mm)
DS71044	100	4	0.5, 1	1/16	62
DS71056	150	6	0.5, 1	1/16	62

Knife Straight Edge Rule 900 Series

Features

- Standard: DIN 874 Grade 00
- Made of hardened alloy steel
- Precision ground and micro-lapped
- Knife-form with angle of 30°
- Packed individually in leather-look bag



ENGINEERS' RULE

Code No	Length (mm)
MW900-01	50
MW900-02	75
MW900-03	100
MW900-04	125
MW900-05	150
MW900-07	300
MW900-06	200
MW900-08	400

Telescopic Gauges 315 Series - Sets

Features

- For quick economical inside measurements
- Spring loaded plunger that expands in the bore or groove
- Satin-chromed body
- With auto extension and direct locking
- Measuring faces are hardened and micro-lapped

Range 8 - 12.7mm
12.7 - 19mm
19 - 32mm
32 - 54mm
54 - 90mm
90 - 150mm



TELESCOPIC GAUGES

Code No	Range (mm)
MW315-011	8-12.7
MW315-012	12.7-19
MW315-013	19-32
MW315-014	32-54
MW315-015	54-90
MW315-016	90-150

TELESCOPIC GAUGE SETS

Code No	Range (mm)	Pack Quantity
MW315-01	8-150	6-pieces

Carbide Tipped Scriber

Features

- Pocket clip
- Pearl-chrome finish
- Robust design



SCT001XR



SCT002R

SCRIBER - CARBIDE TIPPED

Code No	Description
SCT001XR	Scriber - Carbide Tipped
SCT002R	Retail Pack, fixed carbide tipped scriber

Traditional Hermaphrodite Calipers

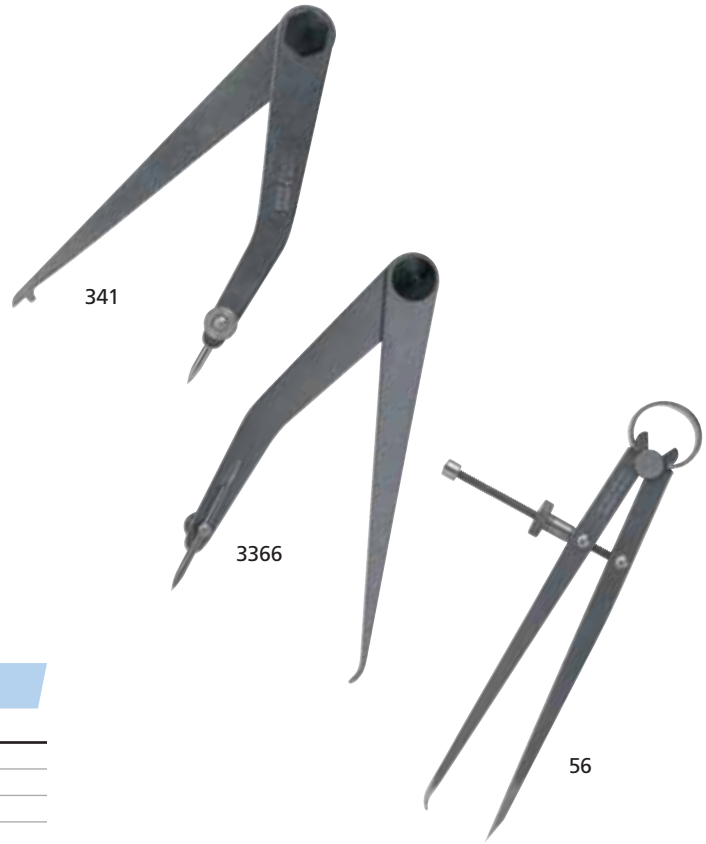
Firm Joint Adjustable Point:

- Manufactured from polished tool steel
- A large headed nut and screw assembly provides a firm and rigid friction joint, with no play
- The sizes listed are the effective leg length which is measured from the joint assembly
- Leg which holds the round adjustable hardened point is offset
- Model 341 has a locating spur on the straight leg

Note: Firm joint caliper capacities are generally 1/3 greater than the effective leg length.

Spring Joint:

- Manufactured from polished tool steel
- The marking leg is hardened to over 550Hv at the point
- Bow spring ensures uniform tension over working range
- Centrally mounted adjustment screw offers finer setting than firm joint type



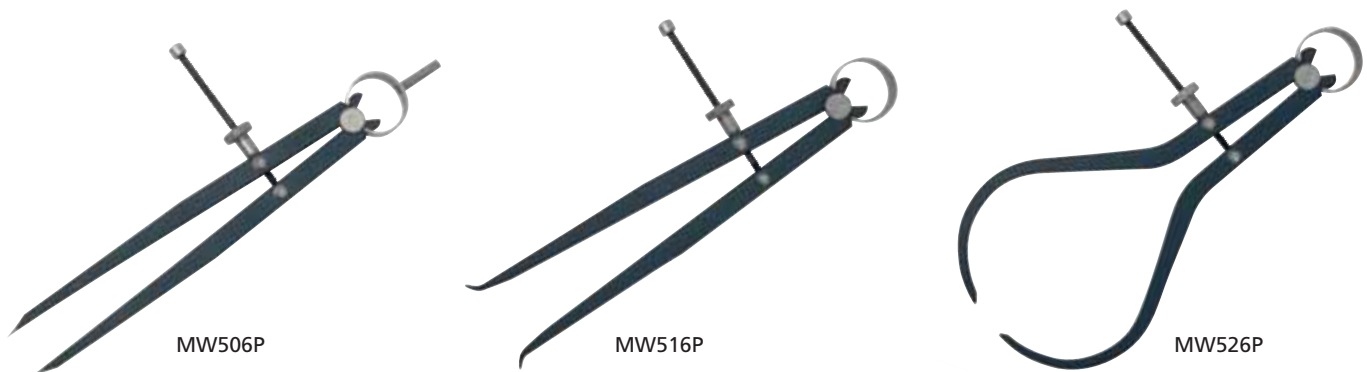
METRIC / IMPERIAL HERMAPHRODITE CALIPERS

Code No	Size	Pack Quantity	Description
341	125mm / 5"	5	Firm Joint
3366	150mm / 6"	5	Firm Joint
56	150mm / 6"	5	Spring Joint

Powder Coated Calipers & Dividers

Features

- Powder coated steel for extra durability
- Sizes listed are the effective leg length which is measured from the joint assembly



POWDER COATED CALIPERS & DIVIDERS

Size	Code No	Description	Code No	Description	Code No	Description
100mm / 4"	MW504P	Divider	MW514P	Inside Caliper	MW524P	Outside Caliper
150mm / 6"	MW506P	Divider	MW516P	Inside Caliper	MW526P	Outside Caliper
300mm / 12"	MW5012P	Divider	MW5112P	Inside Caliper	MW5212P	Outside Caliper

Traditional Inside & Outside Calipers

Inside & Outside Calipers, Firm Joint:

- Standard: BS3123
- Manufactured from polished tool steel
- A large headed nut & screw assembly provides a firm & rigid friction joint, with no play
- The sizes listed are the effective leg length which is measured from the joint assembly

Note: Firm joint caliper capacities are generally 1/3 greater than the effective leg length.

Outside Calipers, Spring Joint:

- Standard: BS3123
- Bow spring ensures uniform tension over working range
- Centrally mounted adjustment screw offers finer setting, than firm joint type

Inside Calipers, Spring Joint:

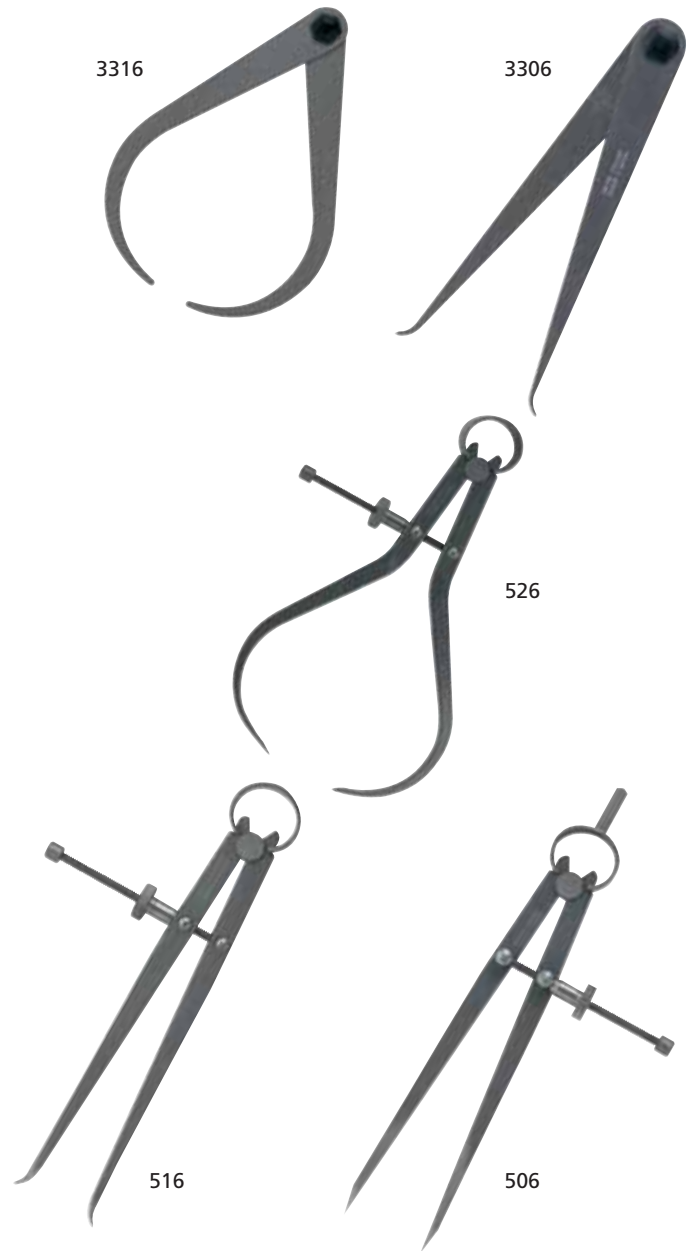
- Standard: BS3123
- Bow spring ensures uniform tension over working range
- Centrally mounted adjustment screw
- Manufactured from polished tool steel

Note: Firm joint caliper capacities are generally 1/3 greater than the effective leg length.

Spring Dividers:

- Standard: BS3123
- Manufactured from polished tool steel
- Points are hardened to over 550Hv
- Bow spring ensures uniform tension over working range
- Centrally mounted adjustment screw

Note: The nominal size is the distance between the centre of the roller and the working ends of the legs.



INSIDE CALIPERS FIRM JOINT

Code No	Size	Pack Quantity
3306	150mm / 6"	5
3308	200mm / 8"	1
33012	300mm / 12"	1

OUTSIDE CALIPERS FIRM JOINT

Code No	Size	Pack Quantity
3316	150mm / 6"	5
3318	200mm / 8"	1
33112	300mm / 12"	1
33118	450mm / 18"	1
33124	600mm / 24"	1

DIVIDERS & INSIDE / OUTSIDE CALIPERS SPRING JOINT

Size	Code No	Description	Code No	Description	Code No	Description	Pack Quantity
75mm / 3"	503	Divider	513	Inside	523	Outside	5
100mm / 4"	504	Divider	514	Inside	524	Outside	5
150mm / 6"	506	Divider	516	Inside	526	Outside	5
200mm / 8"	508	Divider	518	Inside	528	Outside	1
250mm / 10"	5010	Divider	5110	Inside	5210	Outside	1
300mm / 12"	5012	Divider	5112	Inside	5212	Outside	1

Traditional Drill & Standard Wire Gauges

Drill Gauges:

- Made from high grade tool steel, with a brushed finish
- Marked with nominal size of each hole

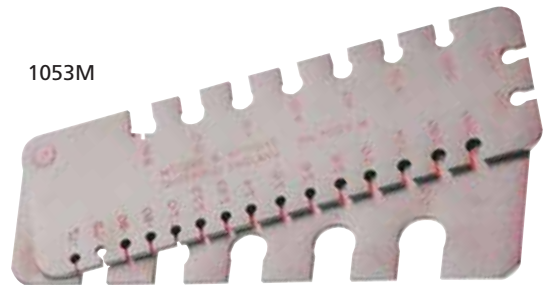
Standard Wire Gauges:

- Two part space saving design, with corner pivot
- Marked with nominal size of each slot
- Made from high grade tool steel, with a brushed finish
- 1067M & 1053M available in Retail Packs

1067M



1053M



METRIC STANDARD WIRE GAUGES

Code No	No. of Slots	Range of Slot Size
1053M	40	0.2-10.0mm

IMPERIAL STANDARD WIRE GAUGES

Code No	No. of Slots	Range of Slot Size
1052	36	1-36 SWG

METRIC DRILL GAUGES

Code No	No. of Holes	Range of Hole Size	Graduation (mm)
1067M	26	0.5-13.0mm	0.5
1066M	96	0.5-10.0mm	0.1

Traditional Surface Gauges

Universal type:

- Designed for precise marking out operations
- Hardened and tempered steel base, ground on one end and bottom face
- Vee groove for locating on cylindrical workpieces
- Two retractable locating pins
- Radial grooves in the side facilitate comfortable handling
- One handed fine adjustment
- Supplied with two interchangeable pillars and one 4mm diameter scriber

Note: Surface gauges can be used for mounting dial test indicators with either a 4mm or 6.35mm (1/4") mounting spigot.



E102B

METRIC / IMPERIAL SURFACE GAUGES

Code No	Description	Size of Base	Height (mm)	Height (inch)
E101B	Universal	80 x 65mm, 3 1/8 x 2 1/2"	225 & 300	9 & 12
E102B	Universal	105 x 85mm, 4 1/8 x 3 3/8"	300 & 450	12 & 18

Traditional Feeler Gauge Set - Precision Range

Precision Range:

- Standard: DIN 2275
- All blades are hardened, tempered and polished
- Nominal thickness marked on each blade
- Replacement blades available
- 3" / 75mm & 4" / 100mm available in Retail Pack



389M



387M

IMPERIAL PRECISION RANGE

Code No	Length (inch)	No. of Blades	Thickness x 0.001"	Width (inch)	Locking Screw
1243	3	10	1.5, 2, 3, 4, 6, 8,	0.5	No
132	4	10	10, 12, 15, 25	0.5	No
1246	6	10		0.5	No
12412	12	10		0.5	No
493	4	15	1.5, 2, 2.5, 3, 4, 5, 6, 7, 8, 9, 10, 12, 15, 20, 25	0.5	No
12	3	26	1.5, 2, 2.5, 3, 4, 5, 6, 7, 8, 9, 10, 11, 12, 13, 14, 15, 16, 17, 18, 19, 20, 21, 22, 23, 24, 25	0.5	No

METRIC PRECISION RANGE

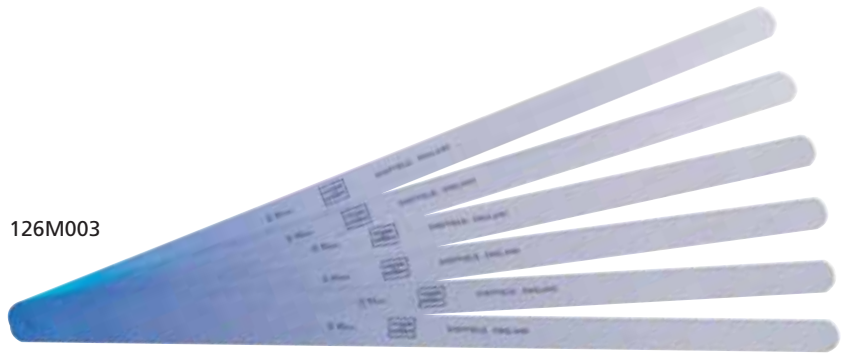
Code No	Length (mm)	No. of Blades	Thickness x 0.01mm	Width (mm)	Locking Screw
387M	75	13	3, 4, 5, 6, 7, 8,	12.7	Yes
388M	100	13	9, 10, 15, 20, 30, 40, 50	12.7	Yes
389M	100	13	5, 10, 15, 20,	12.7	No
394M	150	13	25, 30, 40, 50, 60, 70, 80, 90, 100	12.7	No
393M	75	20	5, 10, 15, 20,	12.7	No
390M	100	20	25, 30, 35, 40,	12.7	No
395M	150	20	45, 50, 55, 60,	12.7	No
399M	300	20	65, 70, 75, 80, 85, 90, 95, 100	12.7	Yes

Feeler Strip 126M Series

Features

- Standard: DIN 2275
- Hardened, tempered and polished steel strip
- Nominal thickness is marked on each strip
- Supplied 10pc each pack

126M003



METRIC 0.03-0.60MM

Code No	Thickness x 0.01mm	Length (mm)	Width (mm)
126M003	3	300	12.7
126M004	4	300	12.7
126M005	5	300	12.7
126M006	6	300	12.7
126M007	7	300	12.7
126M008	8	300	12.7
126M009	9	300	12.7
126M010	10	300	12.7
126M015	15	300	12.7
126M020	20	300	12.7
126M025	25	300	12.7
126M030	30	300	12.7
126M035	35	300	12.7
126M040	40	300	12.7
126M045	45	300	12.7
126M050	50	300	12.7
126M055	55	300	12.7
126M060	60	300	12.7

IMPERIAL 0.001-0.025"

Code No	Thickness x 0.001"	Length (inch)	Width (inch)
1260001	1	12	0.5
12600015	1.5	12	0.5
1260002	2	12	0.5
12600025	2.5	12	0.5
1260003	3	12	0.5
1260004	4	12	0.5
1260005	5	12	0.5
1260006	6	12	0.5
1260007	7	12	0.5
1260008	8	12	0.5
1260009	9	12	0.5
1260010	10	12	0.5
1260011	11	12	0.5
1260012	12	12	0.5
1260013	13	12	0.5
1260014	14	12	0.5
1260015	15	12	0.5
1260016	16	12	0.5
1260017	17	12	0.5
1260018	18	12	0.5
1260019	19	12	0.5
1260020	20	12	0.5
1260021	21	12	0.5
1260022	22	12	0.5
1260023	23	12	0.5
1260024	24	12	0.5
1260025	25	12	0.5

Feeler Strip Sets

Features

- Standard: DIN 2275
- 20 piece feeler strip in wallet
- Hardened, tempered and polished steel strip
- Nominal thickness is marked on each strip
- Imperial Set: Length 6", Range 1-25 Thou
- Metric Set: Length 150mm, Range 0.03 to 1.00mm

FEELER STRIP SETS

Code No	Range
FS20M	Metric 20 Piece Feeler Strip Set
FS20E	Imperial 20 Piece Feeler Strip Set

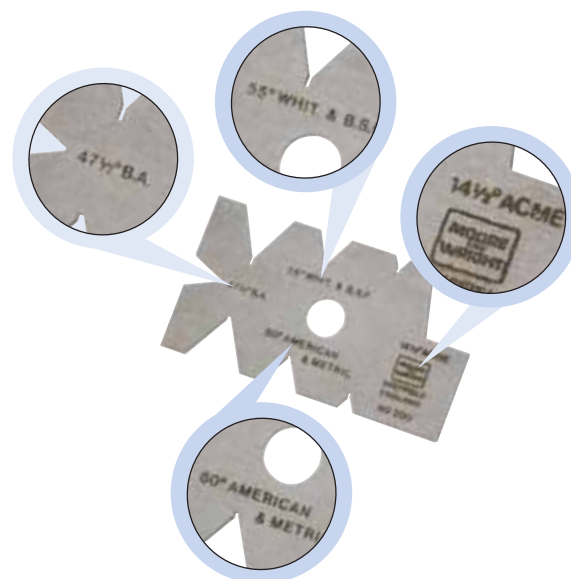


FS20M

Traditional Screw Cutting Gauges

Features

- Suitable for most standard metric and imperial thread forms
- Accurately milled angles for precise evaluation of thread form
- Supplied in packs of 10



SCREW CUTTING GAUGE

Code No	Description	Pack Quantity
200	Thread form: SI, ISO, US Std. 60°. Thread form: Whitworth 55°. Thread form: British Association (BA). 47.5°. Thread form: ACME. 14.5°.	10

Traditional Radius Gauges

Features

- Accurately milled steel blades
- Designed to check both internal and external radii
- Marked with nominal size on each blade
- Mounted either on a ring or in a steel sleeve



206M



204M

METRIC: Radius Gauges, 0.75-13mm

Code No	Range (mm)	Graduation (mm)	No. of Blades	Description
204M	0.75-5	0.25	18	Ring
206M	0.75-5	0.25	18	Sleeve
204MA	5.5-13	0.5	16	Ring
206MA	5.5-13	0.5	16	Sleeve

IMPERIAL: Radius Gauges, 1/32-33/64"

Code No	Range (inch)	Graduation (inch)	No. of Blades	Description
204	1/32 - 17/64	1/64	16	Ring
206	1/32 - 17/64	1/64	16	Sleeve
204A	9/32 - 33/64	1/64	16	Ring
206A	9/32 - 33/64	1/64	16	Sleeve

Traditional Screw Pitch Gauges MW800 Series

Features

- Accurately milled steel blades
- Designed to check both internal and external thread forms
- Marked with nominal size on each blade
- All blades fixed in a steel sleeve
- Screw cutting gauge included

Note: SI (System International) metric blades should not be used to check ISO (International Standards Organisation) metric threads due to interference of the thread forms; but ISO metric blades can be used to check SI metric threads.



COMBINED METRIC & IMPERIAL: Screw Pitch Gauges

Code No	Description	No. of Blades	Threads per mm	Note
804	S.I. Metric & Whitworth	49	Metric: 0.4, 0.5, 0.7, 0.75, 0.8, 0.9, 1.0, 1.25, 1.50, 1.75, 2.0, 2.5, 3.0, 3.5, 4.0, 4.5, 5.0, 5.5, 6.0, 6.5, 7.0 Imperial: 4, 4.5, 5, 6, 7, 8, 9, 10, 11, 12, 13, 14, 16, 18, 19, 20, 22, 24, 25, 26, 28, 30, 32, 36, 40, 48, 60	Screw Cutting Gauge included 60 degrees and 55 degrees

METRIC: Screw Pitch Gauges

Code No	Description	No. of Blades	Threads per mm	Note
801	S.I. Metric	30	0.25, 0.3, 0.35, 0.4, 0.45, 0.5, 0.55, 0.6, 0.65, 0.7, 0.75, 0.8, 0.85, 0.9, 1.0, 1.1, 1.2, 1.25, 1.3, 1.4, 1.5, 1.6, 1.7, 1.75, 1.8, 1.9, 2.0, 2.5, 3.0	Screw Cutting Gauge included 60 degrees
809	ISO Metric	22	0.35, 0.4, 0.45, 0.5, 0.6, 0.7, 0.75, 0.8, 1.0, 1.25, 1.5, 1.75, 2.0, 2.5, 3.0, 3.5, 4.0, 4.5, 5.0, 5.5, 6.0	Screw Cutting Gauge included 60 degrees

IMPERIAL: Screw Pitch Gauges

Code No	Description	No. of Blades	Threads per inch	Note
799	American National	30	4, 4.5, 5, 5.5, 6, 7, 8, 9, 10, 11, 11.5, 12, 13, 14, 15, 16, 18, 20, 22, 24, 26, 27, 28, 30, 32, 34, 36, 38, 40, 42	n/a
800	Whitworth	28	4, 4.5, 5, 6, 7, 8, 9, 10, 11, 12, 13, 14, 16, 18, 19, 20, 22, 24, 25, 26, 28, 30, 32, 36, 40, 48, 60	Screw Cutting Gauge included 55 degrees
806	Unified	30	4, 4.5, 5, 5.5, 6, 7, 8, 9, 10, 11, 11.5, 12, 13, 14, 15, 16, 18, 20, 22, 24, 26, 27, 28, 30, 32, 34, 36, 38, 40, 42	n/a

Bore Gauging

Bore Gauge - Cylinder Sets.....	42
Universal Centre Finder with Indicator.....	42

Cables and Accessories

Data Cable to suit DABS products.....	11, 26, 47
---------------------------------------	------------

Calipers

Caliper - Dial 140 Series.....	7
Caliper - Dial 141 Series.....	8
Caliper - Dial 142 Series.....	8
Caliper - Dial - Plastic.....	7
Caliper - Digital.....	11
Caliper - Digital - External.....	17
Caliper - Digital - Fractional.....	10-11
Caliper - Digital - Groove.....	13- 14
Caliper - Digital - Heavy Duty Workshop.....	15
Caliper - Digital - Internal.....	17
Caliper - Digital - Large Workshop.....	15
Caliper - Digital - Long Jaw.....	14
Caliper - Digital - Pocket.....	9
Caliper - Digital - Polycarbonate.....	9
Caliper - Digital - Water Resistant.....	12
Caliper - Digital - Workshop.....	10
Caliper - Digital Depth.....	16
Caliper - Vernier Depth.....	16
Caliper - Workshop Vernier.....	2-4
Caliper - Workshop Vernier - Large.....	5-6
Depth Gauge - Digital.....	18-19
Tyre Profile Gauge - Digital.....	19

Engineers' Sets

Engineers Set's.....	53-55
----------------------	-------

Hand Tools

Angle Rule - Digital.....	59
Caliper - Digital Inside / Outside.....	20
Calipers - Traditional (Hermaphrodite).....	72
Calipers - Traditional Inside & Outside.....	73
Calipers & Dividers - Powder Coated.....	72
Carpenters' Square.....	55
Combination Set - Traditional Precision.....	56
Combination Set 521 Series.....	56
Depth Gauge - Traditional.....	60
Dividers - Traditional Inside & Outside.....	73
Drill & Standard Wire Gauges.....	74
Engineers' Square - Precision.....	69
Engineers' Square - Traditional.....	69
Feeler Gauge Set - Precision Range.....	76
Feeler Strip 126M Series.....	77
Feeler Strip Sets.....	77
Protractor - Digital.....	58
Protractor - Indicator Bevel.....	57
Protractor - Universal Bevel.....	57
Protractor with Rule.....	59
Radius Gauge Set.....	78
Rule 900 Series.....	70
Screw Cutting Gauges.....	78
Screw Pitch Gauge - Traditional.....	79
Sliding 'T' Squares.....	70
Surface Gauges - Traditional.....	75

Height Gauges

Height Gauge - Digital	190 Series	21
Height Gauge - Digital	193 Series	22
Height Gauge - Digital	195 Series	22
Height Gauge - Digital Mini.....		21
Height Gauges - Dial.....		20

Indicator Stands

Indicator Stand - Articulating.....	477 Series	51
Indicator Stand - Hydraulic	485 Series	50
Indicator Stand - Magnetic	470 Series	49
Indicator Stand - Magnetic	475 Series	49, 52
Indicator Stand - Mini Magnetic.....	497 Series	51
Indicator Stand - Snake.....	496 Series	50

Indicators

Indicator - Dial	400 Series	44
Indicator - Dial	401 Series	45
Indicator - Dial - Plunger.....		44
Indicator - Dial Test.....	420 Series	43
Indicator - Dial Test Accessories		43
Indicator - Digital	405 Series	45
Indicator - Digital - Absolute		47
Indicator - Digital	410 Series	46
Indicator - Digital	415 Series	46

Levelling

Level	550 Series	62
Level - Digital		63
Level - Digital Mini-Mag.....		63

Micrometers

Depth Gauge - Mechanical.....		18
Micrometer - Caliper Type		35
Micrometer - Caliper Type - Digital		35
Micrometer - Digital Absolute Snap		26
Micrometer - Digital Depth.....		37
Micrometer - External		25
Micrometer - External - Digital		26
Micrometer - External - Large.....		27
Micrometer - External - Large - Digital.....		27
Micrometer - External - Workshop		28
Micrometer - Interchangeable Anvils		29
Micrometer - Large - Adjustable.....		31
Micrometer - Large - Adjustable - Digital.....		32
Micrometer - Metric.....		30
Micrometer - Point.....		34
Micrometer - Point - Digital		34
Micrometer - Snap		29
Micrometer - Traditional Depth Gauge		37
Micrometer - Traditional External - Setting Standards.....	966 Series	24
Micrometer - Traditional External.....	1961 Series	23
Micrometer - Traditional External.....	1965 Series	23
Micrometer - Traditional External.....	966 Series	24
Micrometer - Tube		33
Micrometer - Tube - Digital		33
Micrometer - Tubular Internal		36
Micrometer - Workshop		25
Micrometer - Workshop - Digital.....		26
Micrometer Ball Attachment		24
Micrometer Head - Digital		40
Micrometer Heads.....		38-40
Micrometer Stand		41
Micrometers - Traditional - Boxed Sets		28
Micrometers - Traditional Internal.....		36

Retail Packs

Retail Packed Range	62
---------------------------	----

Thickness Gauges

Comparator Stands	48
Thickness Gauge	455 Series..... 47-48

Workshop Tools

Angle Plates - Webbed and Open	66
Carbide Tipped Scriber	71
Cylinder Bore Gauging Setting Master Kit	720 Series..... 65
Engineers' Rules	68
Mic-Check Gauge Block Set.....	MW715 Series..... 65
Pin Gauge Sets - Steel.....	67
Steel Gauge Blocks	700 Series..... 64
Telescopic Gauges.....	71
Vee Blocks & Clamps	66

1	
1052 - 1067M	74
12412	76
126M003 - 1260025	77
1961 - 1965MB	23
19662 - 1966MB150	24
2	
200	78
204 - 206MA	78
230 - 231	66
3	
3306 - 33124	73
341 - 56	72
4	
43 - 44M	60
5	
503 - 5212	73
8	
804 - 809	79
878 - 878M	24
890 - 892M300	37
9	
901 - 908M825	36
980M01 - 980M125	24
C	
CDP150M - CDP006E	7
CSM300 - RPCSC-S	56
D	
DIP223M	44
DS71041 - DS71056	70
E	
E101B - E102B	75
E200 - E304	66
ELS - ELM	61
ELT00XR - MW550-03	62
ER112-ER306F	69
ER306F - ER424	68
F	
FS20E - FS20M	77
M	
MEB-122M - MEB-622E	28
MW-516DIG - MW526GIG	20
MW-Y100/700USB	11, 26, 47
MW-Z40010 - MWZ40022	43
MW100-15B - MW100-30BI	2
MW105-20 - MW105-30I	2
MW110-10DPT	9
MW110-15 - MW110 -30I	2-3
MW110-15DABS - MW110-30DABS	11
MW110-15DBL - MW110-30DBL	10
MW110-15DDL - MW110-30DDL	11
MW110-15DFC - MW110-30DFC	10
MW110-15DIP	12
MW110-15DLJ	14
MW110-15DPC	9
MW110-15WR - MW110-30WR	12

MW111-15I.....	4
MW115-15 - MW115-15I.....	4
MW120-15DB.....	14
MW120-15DC.....	13
MW125-15DC.....	13
MW140-15 - MW140-30.....	7
MW141-15 - MW141-15I.....	8
MW142-15 - MW142-30.....	8
MW152-55 - MW152-75.....	5
MW150-50DDL - MW150-75DDL.....	15
MW150-52 - MW150-85.....	5
MW155-32 - MW155-73.....	6
MW160-20 - MW160-32.....	6
MW160-20D - MW160-30D.....	15
MW170-15 - MW170-50DBI.....	16
MW170-15DB - MW170-30DH.....	16
MW172-01.....	18
MW172-01D.....	18
MW176-01DTG - MW177-01D.....	19
MW190-30DBL - MW190-60DBL.....	21
MW192-20D.....	21
MW193-30DDL - MW193-60DDL.....	22
MW195-30 - MW195-50.....	20
MW195-30DBL - MW195-60DBL.....	22
MW200-01 - MW200-04.....	25
MW200-01BL - MW200-04BL.....	25
MW200-01DBL - MW200-04DBL.....	26
MW200-SET1.....	53
MW200-SET2.....	53
MW200-SET3.....	54
MW200-SET4.....	54
MW201-01DAB - MW201-04DAB.....	26
MW202-01DABS - MW202-04DABS.....	26
MW215-01BL - MW215-04BLI.....	28
MW217-01 - MW217-05.....	29
MW220-01 - MW220-09.....	31
MW220-01DDL - MW220-07DDL.....	32
MW230-01MDB - MW230-02MDB.....	30
MW255-01DDL.....	33
MW270-01 - MW270-08.....	34
MW270-01DDL - MW270-04DDL.....	34
MW275-01 - MW275-04.....	30
MW279-01A.....	41
MW279-02.....	41
MW280-01 - MW280-08.....	35
MW280-01DDL - MW280-06DDL.....	35
MW300-01 - MW300-04.....	36
MW305DDL - MW305-05DDL.....	37
MW310-15 - MHM-771E.....	38-40
MW312-25D.....	40
MW315-01 - MW315-011.....	71
MW316-01 - MW316-06.....	42
MW400-01 - MW400-09.....	44
MW401-01 - MW401-05.....	45
MW405-04DB - MW405-06DB.....	45
MW410-02DF.....	46
MW415-01 - MW415-04.....	46
MW420-03 - MW420-04I.....	43
MW430-01DABS - MW430-03DABS.....	47
MW432-01DC - MW432-05DC.....	17
MW442-01DC - MW442-05DC.....	17
MW455-15 - MW455-35.....	47
MW455-15D - MV498-05.....	48
MW455-15D - MW455-25D.....	48

MW470-01	49
MW475-01	49
MW475-SET1	52
MW475-SET2	52
MW477-01	51
MW485-01	50
MW496-01	50
MW497-01 - MW497- SET1	51
MW497-01 - MW497- SET2	51
MW500-01	57
MW500-01D.....	58
MW504P - MW5212P.....	72
MW505-01 - MW505-03	58
MW506-01 - MW506-02	59
MW510-01	57
MW520-01	55
MW521-01	56
MW525-01	55
MW550-03	62
MW570-01	63
MW580-01 - MW580-03	63
MW612-01	42
MW700-02 - MW700-12	64
MW715-01	65
MW720-01	65
MW725-01 - MW725-04	67
MW900-01 - MW900-08	70
MW910-01 - MW910-06	69
MW946-01 - MW946-04	59
 S	
SCT-001XR - SCT-002R	71



BOWERS GROUP

Tel: +44(0)1276 469 866

Fax: +44(0)1276 401 498

Website: www.bowersgroup.co.uk